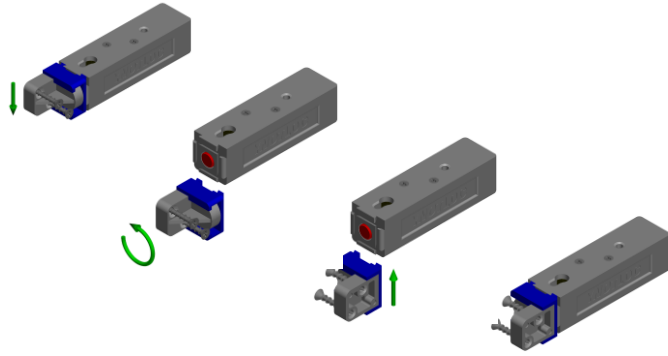


DRAWER INSTALLATION

Before installation begins, check that the strike is orientated correctly so that the flat face of the strike will be against the inside face of the closed drawer.



If it is not, remove the blue installation tool by sliding it off the lock body, turn the strike and installation tool to the correct orientation.

Refit by sliding the installation tool back onto the lock.



The YNOTLOC – YC20 lock is designed by BQT Solutions (SEA) Pte Ltd and manufactured by BQT Solutions (NZ) Ltd. BQT Solutions reserves the right to upgrade or change this product without prior notice. YNOTLOC is a trademark of BQT Solutions (SEA) Pte Ltd.

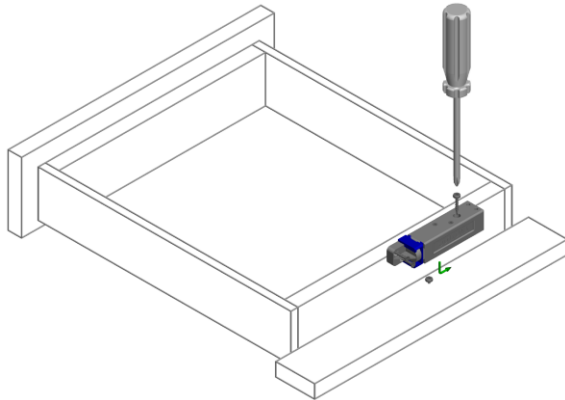
BQT Solutions will not be liable for any direct, indirect, incidental or consequential loss or damage in any way related to this product.

For more information visit www.bqtsolutions.com for a distributor list or contact: sales@magnaltd.com

Patent New Zealand: 520857
 Patent New Zealand: 528985
 Patent United Kingdom: GB2408998
 Others Pending

© BQT Solutions (SEA) Pte Ltd.

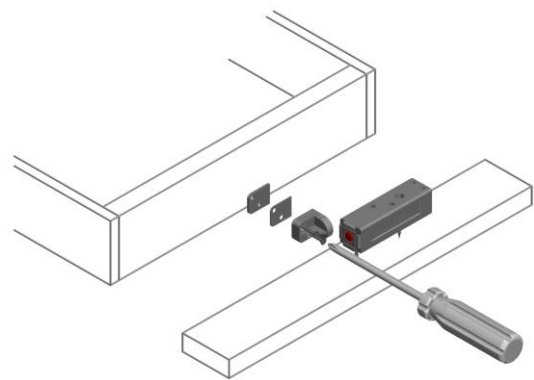
1 FITTING THE LOCK



An additional rail may need to be added to fit the lock into the space behind the drawer. Alternatively, the lock could be screwed directly onto the back of the cabinet behind the drawer.

Install one of the supplied screws 11mm from the back of the draw box until the head is approximately 3mm off the wood face. Fit the lock's keyhole shaped slot over the head and slide the lock back. Remove the lock and adjust the depth of the screw if needed. Refit the lock onto the screw head and use the remaining screw to secure the lock into the cabinet.

2 FITTING THE STRIKE



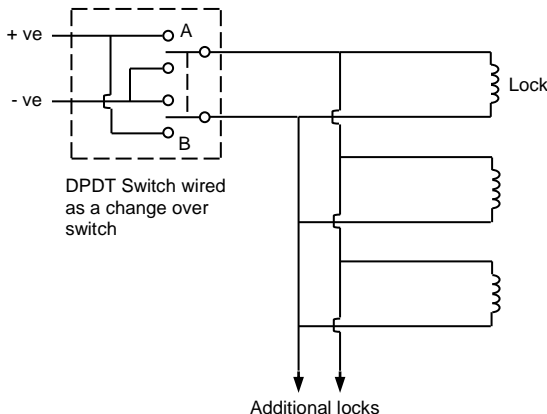
With the blue installation tool holding the strike in the exact position, fitting the strike to the drawer is an easy job.

Once the lock is fitted, closing the drawer will leave indentations to indicate the strike's position. If there are no marks, slightly tighten the screws in the strike to extend their points further, and close the drawer again. Once the strike's position has been marked, slide the blue installation tool off the lock body and slide the strike out of it. Discard the blue installation tool.

Screw the strike in place using the packers as necessary.

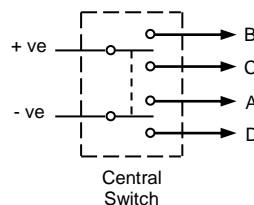
3 WIRING All of the installed locks are wired to the 12V battery and are controlled centrally from a single switch. Individual access to locked doors or drawers can be achieved by adding in separate switches. The two methods of wiring are detailed below

1. Central control of all locks



1. By wiring a DPDT rocker switch as shown in the diagram, central control of the locks is achieved. Momentarily moving the switch from the centre off position to position 'A' for example causes the locks to unlock, and moving the switch to position 'B' causes them to lock. The spring return action of the switch then ensures **no power is used** to keep the locks in either the locked or unlocked state.

2. Additional individual control



2. In addition to the central control of the locks individual DPDT rocker switches can be wired into the system. The same switch is used but diodes will also need to be utilized for correct operation. As with the central control circuit, momentarily moving the switches causes the lock(s) to lock or unlock but the spring return action ensures **no power is used** to keep the locks in either the locked or unlocked state.

