

# YD25

## Solenoid Dropbolt



The YD25 is a solenoid driven electronic lock suited for the discrete, reliable locking of pedestrian doors.

The slim profile of the lock allows for installation in most door types while an optional mounting kit allows for surface fitting when preferred.

Monitoring outputs and on-board intelligence come as standard which means the YD25 is the perfect solution for high usage doors that want to be integrated into access control systems.



### FEATURES

#### Reliability

The durable design of the Solenoid Dropbolt range has made it one of the most reliable electromechanical locks in the world, rated to 1,000,000 cycles.

#### High Security

With a stainless steel bolt pin, the YD25 has a holding force in excess of 10,000N. On-board control provides auto-relock and timed relock for added security.

#### Complete Monitoring

The YD25 can output both the bolt position and the door position as monitor signals.

#### Low Current Consumption

The YD25 will draw as little as 80mA holding current using the built-in current reduction circuitry.

#### Integrated Access Control

With factory set fail safe and fail secure variants, and multiple attempts to lock or unlock, the YD25 is ready for a wide range of application requirements and can be integrated with many access control or alarm systems.

#### Versatile Installation

With the included fitting tabs the YD25 can be morticed flush into both the side and top of many door frames. Optional housing and dress plate allow for surface mounting the lock and strike for an even wider range of applications, including installation on glass doors.

# SPECIFICATIONS

## Door Gap

6mm maximum

## Static Strength

10,000 newtons (1,000Kg)

## Endurance

Cycle tested to 1,000,000 operations

## Bolt Pin

ø12.7mm, 16mm extension, ø15.5mm receiver

## Voltage at Lock

12 - 24VDC ±10%

## Current Usage

Holding: 130mA@12V, 80mA@24V

Maximum: 1.5A@12V, 1.4A@24V

## Monitor Switch Ratings

24VDC, 0.5A

## Materials

Lock / Strike Plate: Stainless Steel 304

Bolt Pin: Stainless Steel 304

## Compliance and Certification

CE Compliant, RoHS 2 Compliant

FCC Part 15 Compliant

## Lock Variants

YNL101A – Fail Safe Lock  
*with Short Strike Plate*

YNL102A – Fail Secure Lock  
*with Short Strike Plate*

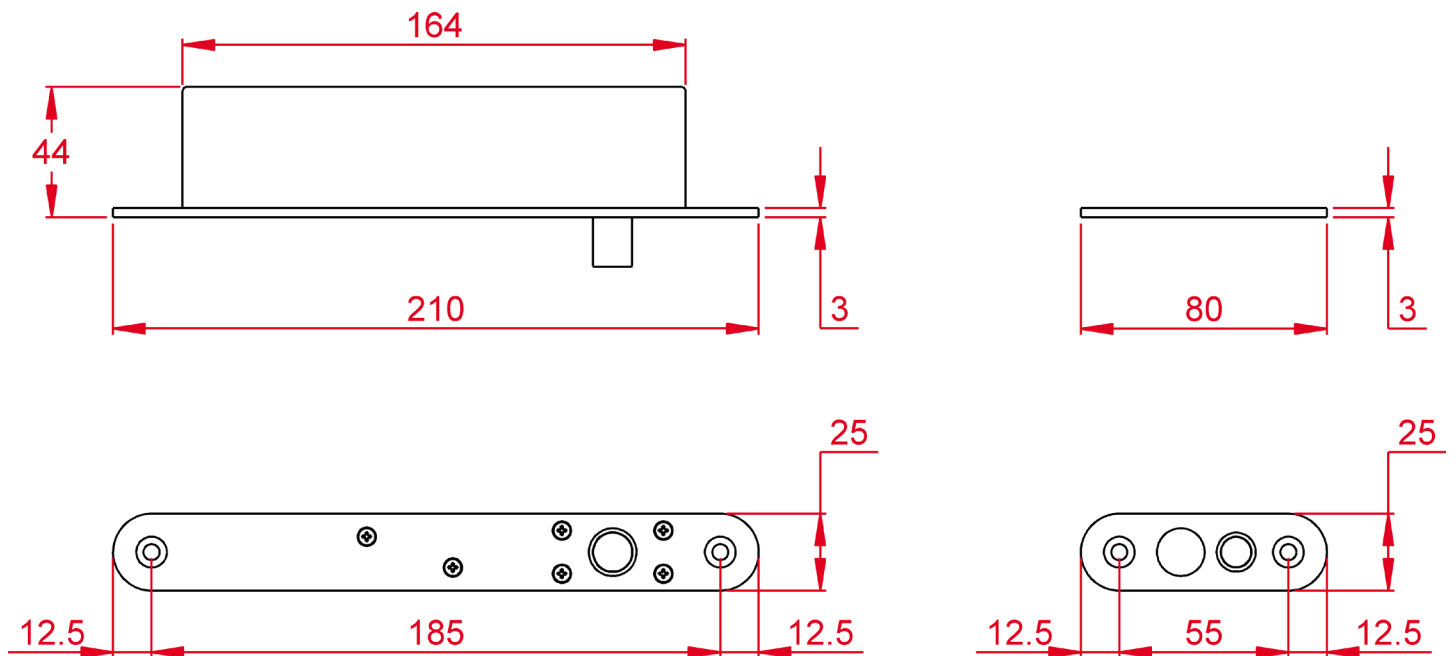
## Accessories

YNL103A – Short Strike Plate

YNL103E – Long Strike Plate

YNL104J – Housing

YNL106J – Dress Plate



Drawings are not to scale. Dimensions are in millimetres (mm).



Contact [lock.sales@theavagroup.com](mailto:lock.sales@theavagroup.com) to be put in touch with your local representative.

[www.bqtsolutions.com](http://www.bqtsolutions.com)