

# YD25K

## Solenoid Dropbolt



The YD25K is a solenoid driven electronic lock able to be integrated into access control systems while having the benefit of a built in manual override via a Euro style key cylinder.

The slim profile of the lock allows for installation in most door types while an optional mounting kit allows for surface fitting when preferred.

Stacked with features and highly reliable, the YD25K provides a truly versatile locking solution.



### FEATURES

#### Key Override

The YD25K has compatibility with a Euro style key cylinder for mechanically overriding of the deadbolt when set to fail secure, and electrically overriding the lock when set to fail safe.

#### High Security

With a stainless steel bolt pin, the YD25K has a holding force in excess of 10,000N. On-board control provides auto-relock and timed relock for added security.

#### Reliability

The durable design of the Solenoid Dropbolt range has made it one of the most reliable electromechanical locks in the world, rated to 1,000,000 cycles.

#### Complete Monitoring

The YD25K can output the bolt position, the door position, and the key position as monitor signals.

#### Low Current Consumption

The YD25K will draw as little as 80mA holding current using the built-in current reduction circuitry.

#### Integrated Access Control

With factory set fail safe and fail secure variants, and multiple attempts to lock or unlock, the YD25K is ready for a wide range of application requirements and can be integrated with many access control or alarm systems.

#### Versatile Installation

With the included fitting tabs the YD25K can be morticed flush into both the side and top of many door frames. Optional housings and dress plate allow for surface mounting the lock and strike for an even wider range of applications, including installation on glass doors.

# SPECIFICATIONS

## Door Gap

6mm maximum

## Static Strength

10,000 newtons (1,000Kg)

## Endurance

Cycle tested to 1,000,000 operations

## Bolt Pin

ø12.7mm, 16mm extension, ø15.5mm receiver

## Key Cylinder

Euro Style (not included)

## Voltage at Lock

12 - 24VDC ±10%

## Current Usage

Holding: 130mA@12V, 80mA@24V

Maximum: 1.5A@12V, 1.4A@24V

## Monitor Switch Ratings

24VDC, 0.5A

## Materials

Lock / Strike Plate: Stainless Steel 304

Bolt Pin: Stainless Steel 304

## Compliance and Certification

CE Compliant, RoHS 2 Compliant

FCC Part 15 Compliant

## Lock Variants

YNL141A – Fail Safe Lock  
*with Short Strike Plate*

YNL142A – Fail Secure Lock  
*with Short Strike Plate*

## Accessories

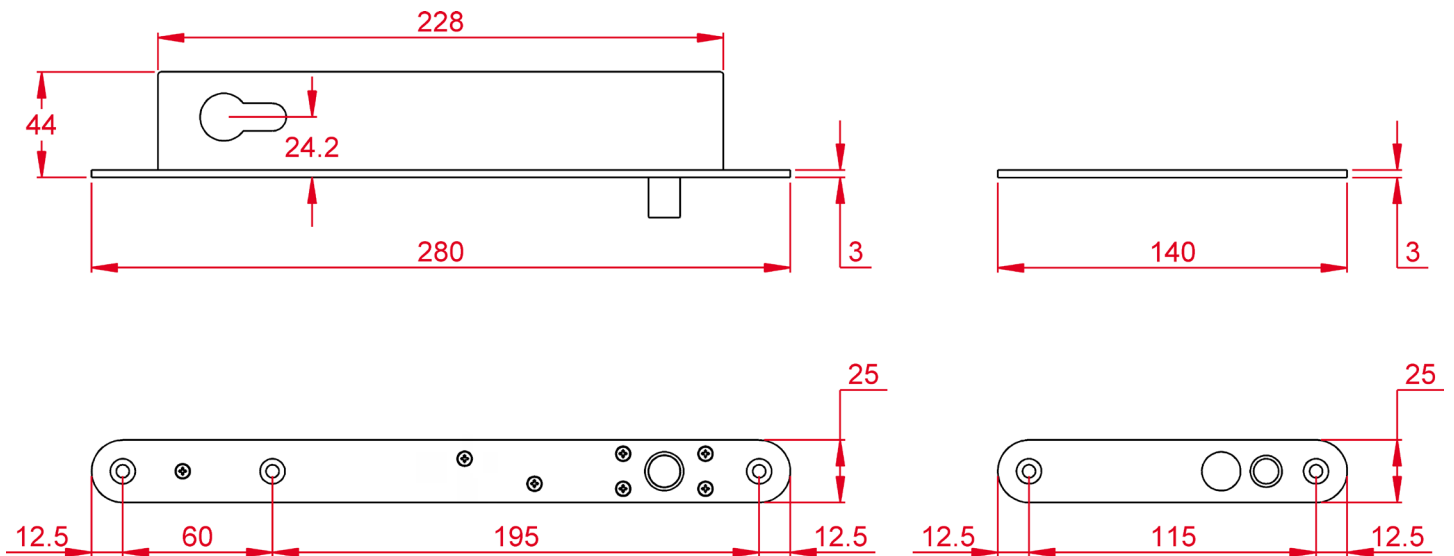
YNL143A – Short Strike Plate

YNL143E – Long Strike Plate

YNL144J – Lock Housing

YNL145J – Long Strike Housing

YNL146J – Dress Plate



Drawings are not to scale. Dimensions are in millimetres (mm).



Contact [lock.sales@theavagroup.com](mailto:lock.sales@theavagroup.com) to be put in touch with your local representative.

[www.bqtsolutions.com](http://www.bqtsolutions.com)