

YD38

Solenoid Dropbolt



The YD38 is a robust solenoid driven electronic lock suited for the reliable locking of pedestrian doors.

The profile of the lock makes it perfectly suited for larger doorways and oversized doors, while optional mounting kit allows for surface fitting when preferred.

Monitoring outputs and onboard intelligence come as standard which means the YD38 is the perfect solution for large high usage doors that want to be integrated to access control systems.



FEATURES

High Security

With a stainless steel bolt pin, the YD38 has a holding force in excess of 20,000N. On-board control provides auto-relock and timed relock for added security.

Reliability

The durable design of the Solenoid Dropbolt range has made it one of the most reliable electromechanical locks in the world, rated to 1,000,000 cycles.

Complete Monitoring

The YD38 can output both the bolt position and the door position as monitor signals.

Low Current Consumption

The YD38 will draw as little as 90mA holding current using the built-in current reduction circuitry.

Integrated Access Control

With factory set fail safe and fail secure variants, and multiple attempts to lock or unlock, the YD38 is ready for a wide range of application requirements and can be integrated with many access control or alarm systems.

Versatile Installation

With the included fitting tabs the YD38 can be morticed flush into both the side and top of many door frames. Optional housing and dress plate allow for surface mounting the lock and strike for an even wider range of applications, including installation on glass doors.

SPECIFICATIONS

Door Gap

6mm maximum

Static Strength

20,000 newtons (2,000Kg)

Endurance

Cycle tested to 300,000 operations

Bolt Pin

ø14.2mm, 14mm extension, ø17.5mm receiver

Voltage at Lock

12 - 24VDC ±10%

Current Usage

Holding: 150mA@12V, 90mA@24V

Maximum: 1.5A@12V, 1.4A@24V

Monitor Switch Ratings

24VDC, 0.5A

Materials

Lock / Strike Plate: Stainless Steel 304

Bolt Pin: Stainless Steel 304

Compliance and Certification

CE Compliant, RoHS 2 Compliant

Lock Variants

YNL171C – Fail Safe Lock
with Short Strike Plate

YNL172C – Fail Secure Lock
with Short Strike Plate

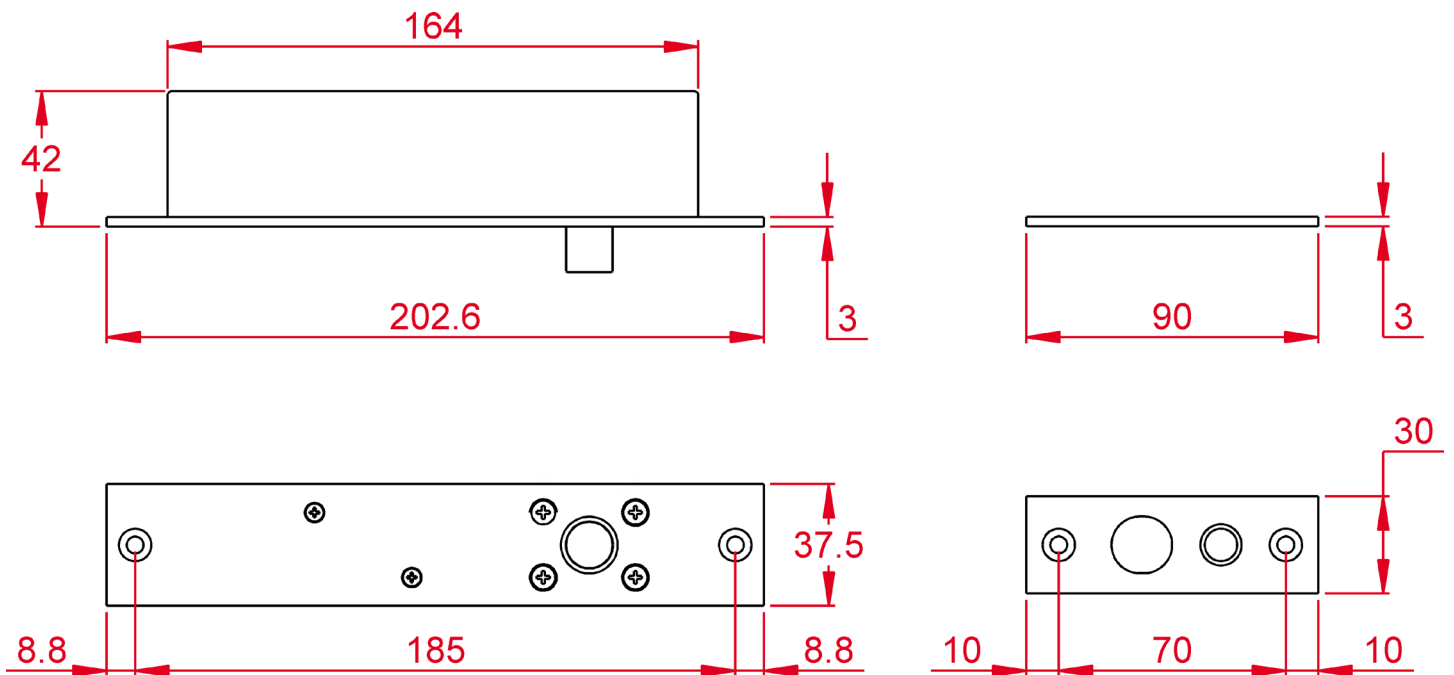
Accessories

YNL173C – Short Strike Plate

YNL173G – Long Strike Plate

YNL174J – Housing

YNL176J – Dress Plate



Drawings are not to scale. Dimensions are in millimetres (mm).



Contact lock.sales@theavagroup.com to be put in touch with your local representative.

www.bqtsolutions.com