

YD38L

Solenoid Dropbolt



The YD38L is a solenoid driven electronic lock for pedestrian doors that comes with a unique latching device designed to help alleviate door alignment and rattle concerns.

The profile of the lock makes it perfectly suited for larger doorways and oversized doors while an optional mounting kit allows for surface fitting when preferred.

Monitoring outputs and onboard intelligence come as standard and the magnet latching mechanism makes it a great solution for large swing through doors.



FEATURES

High Security

With a stainless steel bolt pin, the YD38L has a holding force in excess of 20,000N. On-board control provides auto-relock and timed relock for added security.

Alignment

The YD38L has a built-in magnet latch, which ensures the correct positioning of the lock and strike every time. Perfect for swing through doors, rattling doors, or misaligned doors.

Reliability

The durable design of the Solenoid Dropbolt range has made it one of the most reliable electromechanical locks in the world, rated to 1,000,000 cycles.

Complete Monitoring

The YD38L can output the bolt position and the door position as monitor signals.

Low Current Consumption

The YD38L will draw as little as 90mA holding current using the built-in current reduction circuitry.

Integrated Access Control

With factory set fail safe and fail secure variants, and multiple attempts to lock or unlock, the YD38L is ready for a wide range of application requirements and can be integrated with many access control or alarm systems.

Versatile Installation

With the included fitting tabs the YD38L can be morticed flush into both the side and top of many door frames. Optional housing and dress plate allow for surface mounting the lock and strike for an even wider range of applications, including installation on glass doors.

SPECIFICATIONS

Door Gap

6mm maximum

Static Strength

20,000 newtons (2,000Kg)

Endurance

Cycle tested to 300,000 operations

Bolt Pin

ø14.2mm, 14mm extension, ø17.5mm receiver

Alignment

Built-in magnet latch mechanism

Voltage at Lock

12 - 24VDC ±10%

Current Usage

Holding: 150mA@12V, 90mA@24V

Maximum: 1.5A@12V, 1.4A@24V

Monitor Switch Ratings

24VDC, 0.5A

Materials

Lock / Strike Plate: Stainless Steel 304

Bolt Pin: Stainless Steel 304

Compliance and Certification

CE Compliant, RoHS 2 Compliant

Lock Variants

YNL181G – Fail Safe Lock
with Long Strike Plate

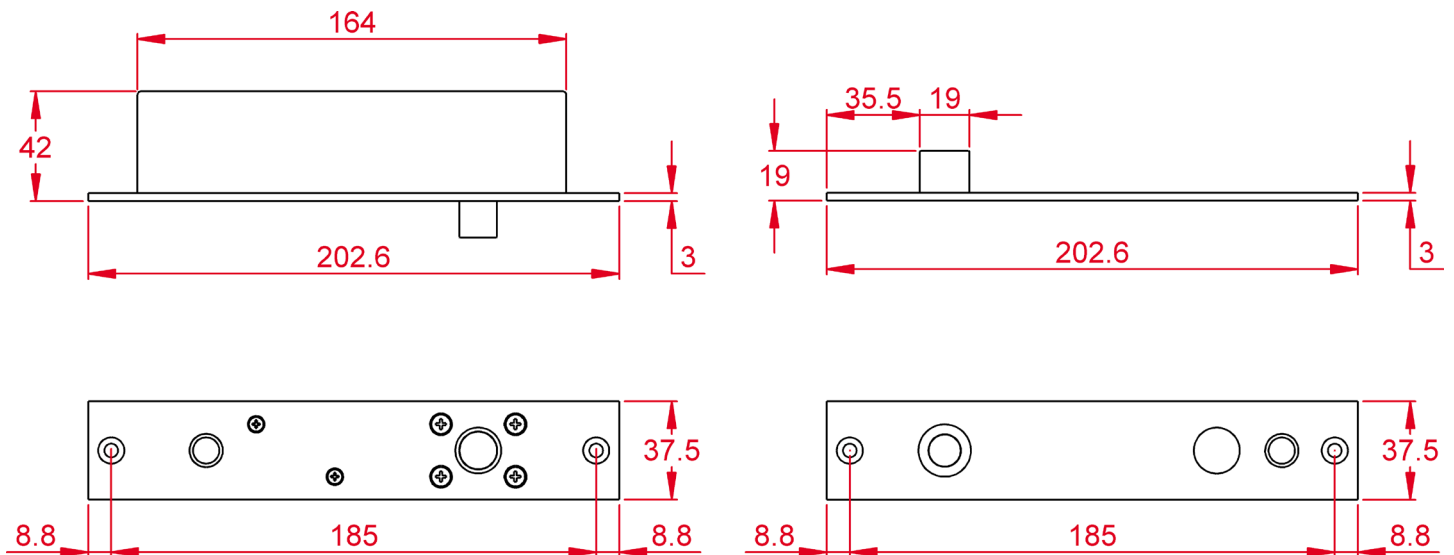
YNL182G – Fail Secure Lock
with Long Strike Plate

Accessories

YNL183G – Long Strike Plate

YNL174J – Housing

YNL176J – Dress Plate



Drawings are not to scale. Dimensions are in millimetres (mm).



Contact lock.sales@theavagroup.com to be put in touch with your local representative.

www.bqtsolutions.com