

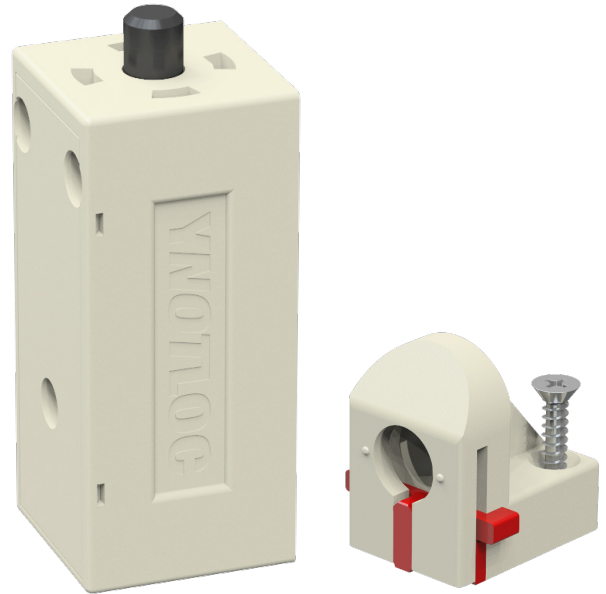
# YC10

## Safety Lock



Locking kitchen cabinets to keep children safe or securing office drawers with confidential documents, keeping things safe has never been as easy or effective as it is with the YC10.

With a simple to use installation aid, the YC10 mounts inside cabinetry so it is completely hidden from view, yet it is simple to control and operates instantly when requested to give the ultimate balance in convenient locking.



### FEATURES

#### Simple Installation

A patented installation aid ensures fitting the lock is a quick and easy process. Wiring couldn't be easier with 'plug and play' connections, and the locks can be daisy-chained together to help simplify installation even further.

#### Concealed Security

All the lock components are hidden inside the cabinetry ensuring a clean look as well as offering a further level of security.

#### Modular System

The YC10 come in a pre-made packs to offer a one box solution. Systems can be expanded by simply adding more packs to suit any requirements.

#### Convenient Control

The magnet wand can trigger a lock to disengage when in proximity of it's sensor. The built-in slider on the strike allows the overriding of the lock and free access to the cupboard or drawer.

#### Complete Safety

The YC10 are fail secure locks to guarantee that closed cabinets or drawers are always secured, even if power failure occurs.

# SPECIFICATIONS

## Door Gap

2.5mm (installation aid included)

## Static Strength

600 newtons (60Kg)

## Endurance

Cycle tested to 1,000,000 operations

## Bolt Pin

ø8mm, 8mm extension

## Voltage at Lock

12VDC ±10%

## Current Usage

Locked: 0mA

Unlocked: 250mA

## Materials

Lock / Strike Body: ABS Plastic

Bolt Pin: Steel

## Compliance and Certification

C-Tick, Various Patents

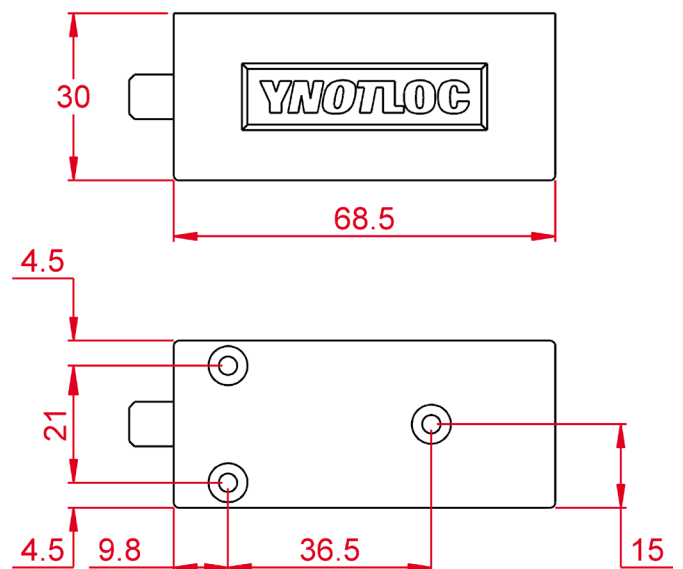
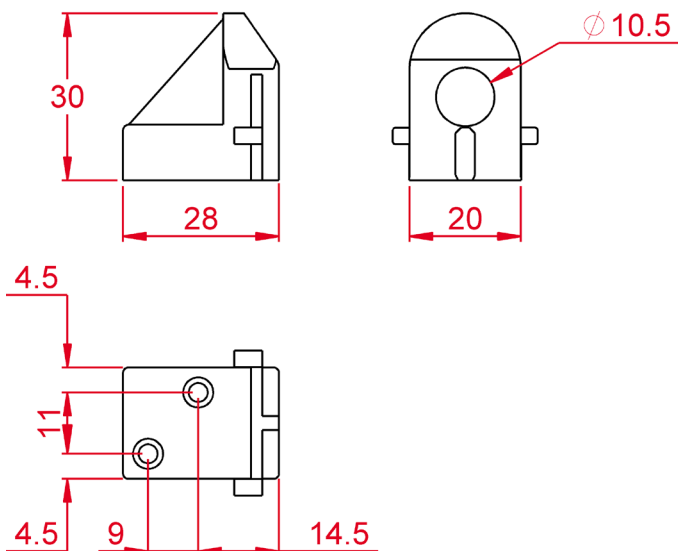
## Lock Variants

YNL502A – 2 Lock Starter Pack  
*with Magnet Wand, 2 Sensors,  
Jumper Wire, and AC Adapter*

YNL502B – 4 Lock Pack  
*with 4 Sensors and 4 Jumper  
Wires*

## Accessories

YNL502 – Single Lock  
YNL503 – Magnet Wand  
YNL504 – Jumper Wire  
YNL505 – Sensor  
YNL507 – AC Adapter



Drawings are not to scale. Dimensions are in millimetres (mm).



Contact [lock.sales@theavagroup.com](mailto:lock.sales@theavagroup.com) to be put in touch with your local representative.

[www.bqtsolutions.com](http://www.bqtsolutions.com)