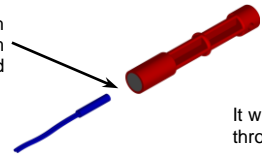


CUPBOARD INSTALLATION

Ensure that a mains outlet is available to power the system.

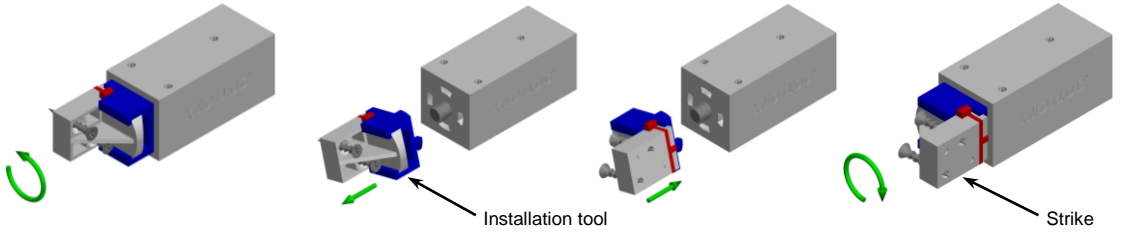


The sensor will work with a maximum gap of 30mm between sensor end and magnet wand.

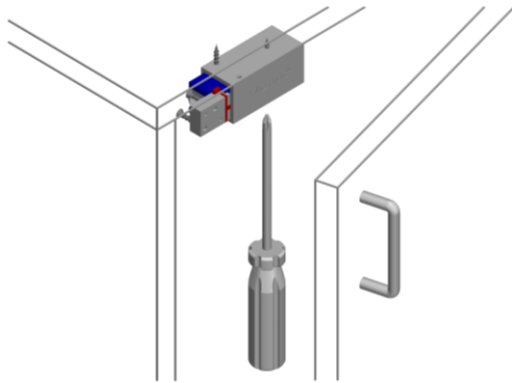


It will not operate through metal.

Check that the strike is orientated correctly so that the flat face of the strike is against the face of the closed door. If it isn't, remove the blue installation tool by rotating it anti-clockwise, and pulling it out of the lock. Turn the strike and installation tool to the right orientation and refit by turning clockwise.

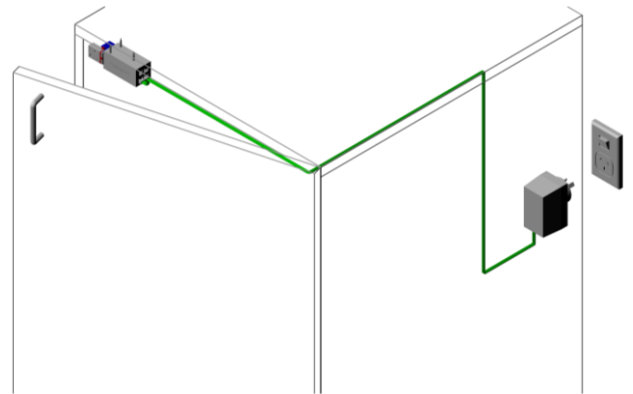


1 FITTING THE LOCK ASSEMBLY



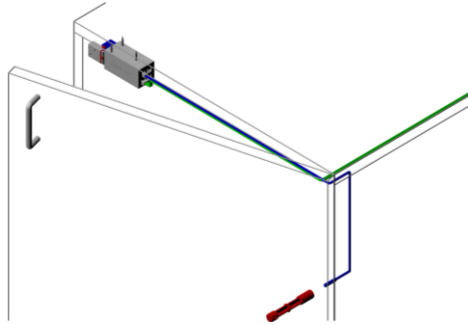
Use a No.2 pozi screwdriver to secure lock assembly up into the cabinet frame, as far away from the hinges as practicable remembering that the strike needs to go onto door. Choose a location that allows the door to close within 3mm of the lock assembly face.

2 CONNECTING THE POWER



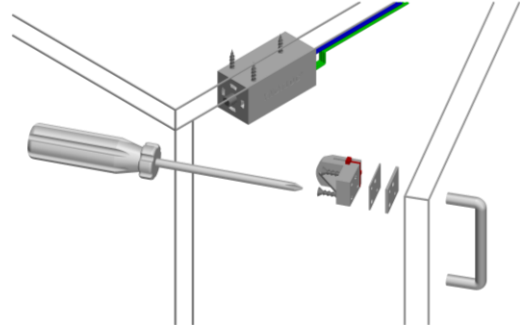
Plug the AC adaptor into a standard 230/240V wall outlet and connect its lead to any one of the three large slots in the rear of the lock. Turn on at the wall.

3 CONNECTING THE SENSOR



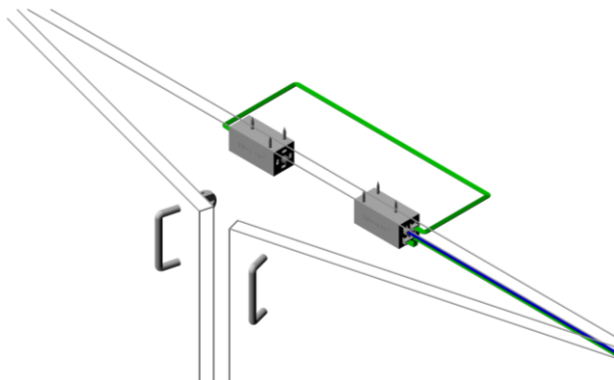
Plug a sensor into the small slot on the rear of the lock. Use a cable-clip to fit the sensor to the desired position inside the cabinet, and provide end-to-end alignment with the magnet wand. **It must not be mounted near any metal parts, and must be at least 50mm away from the lock and any other sensors.** Close the door and hold the magnet wand adjacent to the hidden sensor to test lock operation. If the lock doesn't operate, open the door, and reposition the sensor.

4 FITTING THE STRIKE



By closing the door the screws fitted into the strike will leave indentations to indicate its position. If there are no marks, slightly tighten the screws to extend their points further and try closing the door again. Once the strike position has been marked, rotate and remove the blue installation tool and slide the strike off it. Discard the blue installation tool. Screw the strike in place using a No.2 pozi screwdriver using the packers as necessary. Use the red slider on the strike to override the lock allowing free access to your cupboard.

5 ADDING MORE LOCKS



The fitting of the second and all subsequent locks is identical to the first, except that their power comes from the previous lock via a 1-metre long jumper wire.

Use the cable clips to keep the wires tidy.

The child-safe **YNOTLOC** is designed to keep your cupboards and drawers locked and secure, but there is no substitute for proper adult supervision. Keep the magnet wand out of reach of children, and ensure that it is not accidentally locked away. BQT Solutions (PTE) Ltd will not be liable for any direct, indirect, incidental or consequential loss or damage in any way related to the product.

CAUTION: The magnet wand contains a very powerful magnet; so do not place near Televisions, Credit Cards, Computer hard drives etc.

PATENTED New Zealand numbers
528984, 528985, 529152.
UK patent number 2423116
© Copyright BQT Solutions (PTE) Ltd.

