

BT815



RFID READER DATASHEET

23.06.21

PRODUCT

The BT815 is a wall mount MIFARE® smart card reader that can be purchased preconfigured or customised to suit any requirement. Able to integrate seamlessly with existing systems and facilitate migrating to higher security technology.



MODEL FEATURES

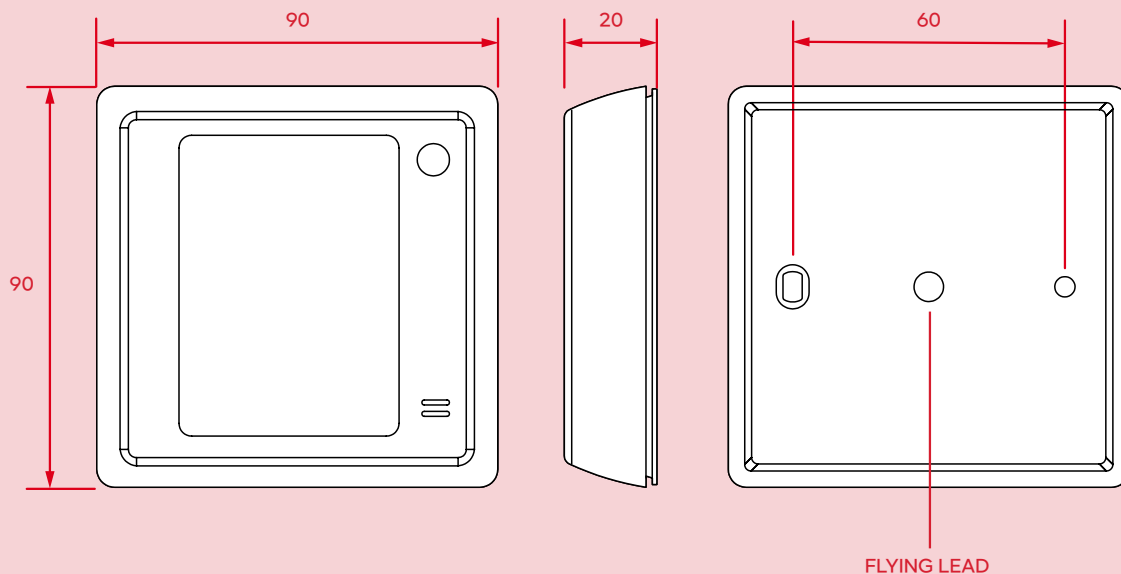
		BT815-1	BT815-2	BT815-3	BT815-4	BT815-5	BT815-6
Technology	125kHz						
	MIFARE Classic®	●	●	●			
	MIFARE Plus®						●
	MIFARE® DESFire®				●	●	●
Factors	Card	●	●	●	●	●	●
	Keypad						
	Biometric						
Encryption	CSN/UID	●	●	●	●		●
	Crypto1		●	●			●
	3DES				●		●
	AES					●	●
Keys	Diversified Key		●		●	●	●
	Custom Key			●			●
Output	Wiegand 32-bit	●	●	●	●	●	●
	Wiegand 26-bit to 199-bit			●			●
	Encrypted RS485			●		●	●

SPECIFICATIONS

- **Voltage at Reader**
8VDC to 16VDC
- **Current Usage**
Average: 60mA
Peak: 160mA
- **Card Read Range**
20mm to 40mm (0.8" to 1.6")
- **Operating Temperature**
-25°C to +65°C (-13°F to +149°F)
- **Relative Humidity (% max)**
90%, operating non condensing
- **Reader Dimensions**
90mm (3.54") X 90mm (3.54") X
20mm (0.79")
- **Materials**
Reader / Shroud Body: ABS
Plastic
Colour Finish: Charcoal
- **Feedback**
Green/Red/Blue LED, with
external control
Buzzer, with external control
Tamper detection, optional
output
- **Credential Options**
ISO14443A, MIFARE Classic®
1K/4K, MIFARE Plus® X 2K/4K,
MIFARE® DESFire® EV1 4K/8K,
MIFARE® DESFire® EV2 4K/8K,
MIFARE® DESFire® EV3 4K/8K
- **Compliance and Certification**
FCC, CE, UKCA, RCM, RoHS, IP65
- **Reader Variants**
BT815-1 – CSN Reader
BT815-2 – miPASS2 Reader
BT815-3 – Custom MIFARE
Classic Reader
BT815-4 – miPASS3 Reader
BT815-5 – miPASS4 Reader
BT815-6 – Custom MIFARE
DESFire Reader
- **Accessories**
B4022G000000 – BT815 Tamper
Backbox
B4032G000000 – BT815 Tamper
Plate
B4100G000000 – BT815
Replacement Shroud

DIAGRAM

DIAGRAMS ARE NOT TO SCALE. MEASUREMENTS ARE IN MILLIMETERS (MM).



CONTACT SALES@BQTSOLUTIONS.COM TO BE PUT IN TOUCH WITH YOUR LOCAL REPRESENTATIVE.

WWW.BQTSOLUTIONS.COM