

YD30 COBALT

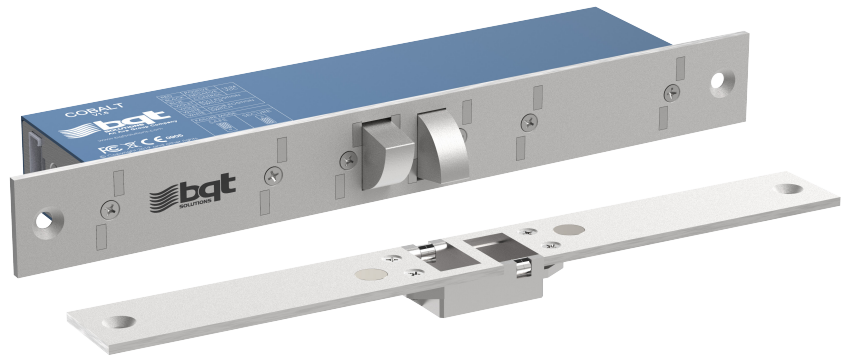


SIDELOAD LOCK DATASHEET

23.06.21

PRODUCT

For aligning mis-aligned swing through doors and to ensure a safe unlock when requested even with excessive load on the door, no other lock in the world can match the Cobalt.



FEATURES

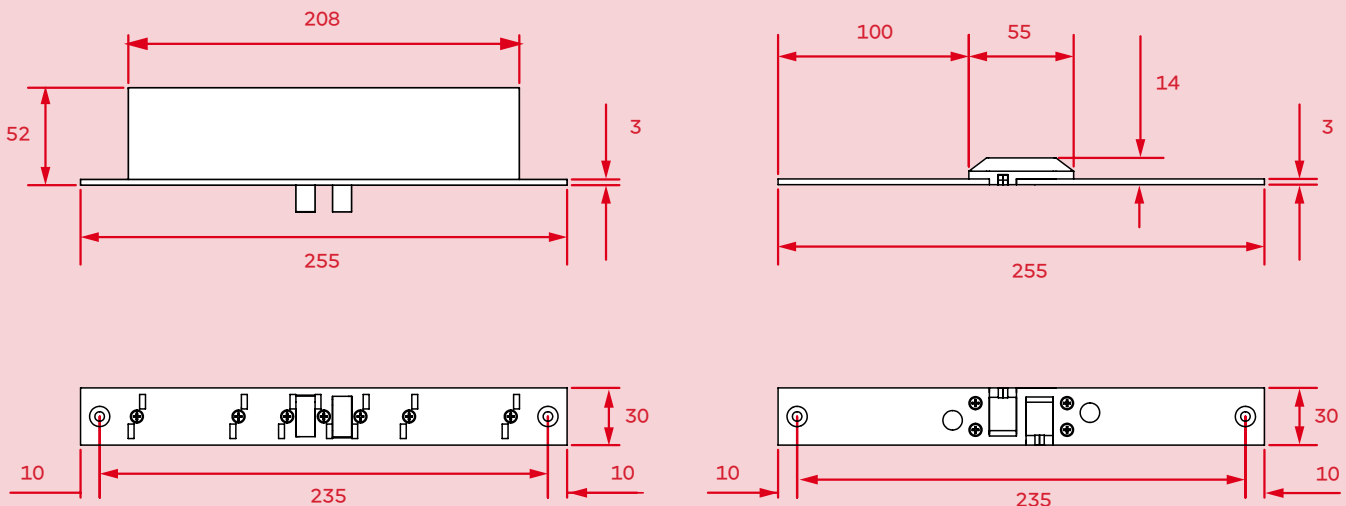
- **High Security**
With two 10mm thick stainless steel bolt pins, the Cobalt has a holding force in excess of 10,000N. Onboard control provides auto-relock for added security.
- **Sideload**
The unique design of the Cobalt uses a collapsing mechanism that is deadbolted when locked, but will unlock when requested even with 1,000N of force on the door.
- **Alignment**
The pivot action of the Cobalt bolt pins will grab the strike plate and pull the door into position for a misalignment up to 8mm in either direction.
- **Complete Monitoring**
The Cobalt can output both the bolt position and the door position as monitor signals.
- **Low Current Consumption**
The Cobalt will draw as little as 40mA in standby, and only 300mA in operation at 12VDC.
- **Integrated Access Control**
With user selectable fail safe and fail secure modes, and multiple attempts to lock or unlock, the Cobalt is ready for a wide range of application requirements and can be integrated with many access control or alarm systems.
- **Versatile Installation**
With the included fitting tabs the Cobalt can be morticed flush into both the side and top of many door frames. Optional housing and dress plate allow for surface mounting the lock and strike for an even wider range of applications, including installation on glass doors.

SPECIFICATIONS

- **Door Gap**
6mm maximum
- **Static Strength**
10,000 newtons (1,000Kg)
- **Sideload** (release on request)
1,000 newtons (100Kg)
- **Endurance**
Cycle tested to 300,000 operations
- **Bolt Pin (2 pieces)**
ø10mm thick, 13mm extension,
ø14.2mm reciever
- **Alignment**
±8mm misalignment correction
- **Voltage at Lock**
12-24VDC ±15%
- **Current Usage**
Holding: 40mA@12V,
30mA@24V
Maximum: 1.0A@12V,
0.5A@24V
- **Monitor Switch Ratings**
24VDC, 0.5A
- **Materials**
Lock / Strike Plate: Stainless Steel 304
Bolt Pin: Stainless Steel 17-4PH
- **Compliance and Certification**
CE Compliant, RoHS 2 Compliant
FCC Part 15 Compliant
EN 14846:2008 Certified
Suitable for use on fire resistant doorsets
- **Lock Variants**
YNL200H – Lock with Long Strike Plate
- **Accessories**
YNL203H – Long Strike Plate
YNL204J – Housing
YNL206J – Dress Plate

DIAGRAM

DIAGRAMS ARE NOT TO SCALE. MEASUREMENTS ARE IN MILLIMETERS (MM).



CONTACT SALES@BQTSOLUTIONS.COM TO BE PUT IN TOUCH WITH YOUR LOCAL REPRESENTATIVE.

WWW.BQTSOLUTIONS.COM