

SOLENOID LOCKS YD25



Product Overview

The YD25 is a low voltage electronic deadbolting door lock. Commercial or residential doors can be secured, and because of the streamlined dimensions, the YD25 is ideal for thinner door styles. Hidden in door frames or surfaces mounted to glass doors with the aid of accessories, this lock has set the industry standard for over 25 years.

Reliability, functionality, and quality are combined to result in this fully monitored solenoid drop bolt designed with narrow dimensions to fit into all doorframes. The YD25 can be connected to advanced access control systems where logging and traffic reports are important, but because of the integrated access control features, it can also operate in a simple system.

Why BQT Solutions

BQT Solutions is a specialist in the development, manufacture and supply of high quality, high security card and biometric readers, electromechanical locks and related electronic security products. Providing high security solutions to verticals such as Airports, Hospitals, Prisons and Government for over 35 years.

Innovating today for a more secure tomorrow

Product Benefits

Benefit One

The narrow design of the YD25 makes it the ideal lock for thinner door frames and provides a completely concealed solution when morticed.

Benefit Two

Reliable and durable, the YD25 has been tested and approved to offer continuous locking for over 1,000,000 cycles. This, coupled with a holding force of 10,000N, ensures long term security in high traffic environments.

Benefit Three

Offering feedback to the control panel of the door and bolt positions is a standard feature of the YD25. Monitoring the position of the door and whether the bolt pin is extended or retracted provides vital information needed to ensure a site is safe and secure.

Benefit Four

Flexibility in installation as the YD25 only requires low voltage power and signals to operate and can connect into any access system making wiring easy.

PRODUCT FEATURES

Reliability

The durable design of the Solenoid Drop bolt range has made it one of the most reliable electromechanical locks in the world, rated at 1,000,000 cycles.

Complete Monitoring

The YD25 can output both the bolt position and the door position as monitor signals. Monitoring the position of the door and whether the lock is open or closed, the YD25 will connect to your access control system to display the status of the lock for security.

High Security

With a stainless-steel bolt pin, the YD25 has a holding force in excess of 10,000N. In addition, onboard control provides auto-relock and timed relock for added security.

Low Current Consumption

The YD25 will draw as little as 160mA holding current at 12VDC by utilising the built-in current reduction circuitry. Low current paired with high-security access control makes the YD25 a preferred product choice for many industry leaders.

Integrated Access Control

With factory-set fail safe and fail secure variants and multiple attempts to lock or unlock, the YD25 is ready for a wide range of application requirements. It can be integrated easily with access control or alarm systems.

Versatile Installation

The YD25 can be morticed flush into both the side, or top of many door frames. The lock is supplied with a short strike plate as standard but additional items are available in the form of a long strike plate, housing, and dress plate. These products allow the lock to be surface mounted when mortice installation isn't a preferred, or viable option. The housing and dress plates are supplied with self-adhesive tape for instant application to glass doors and door frames.

PRODUCT APPLICATIONS

For over 25 years the YD25 has been the preferred solenoid lock when securing high traffic volume pedestrian doors is needed. Used across all market sectors around the globe, when reliability and security are needed.

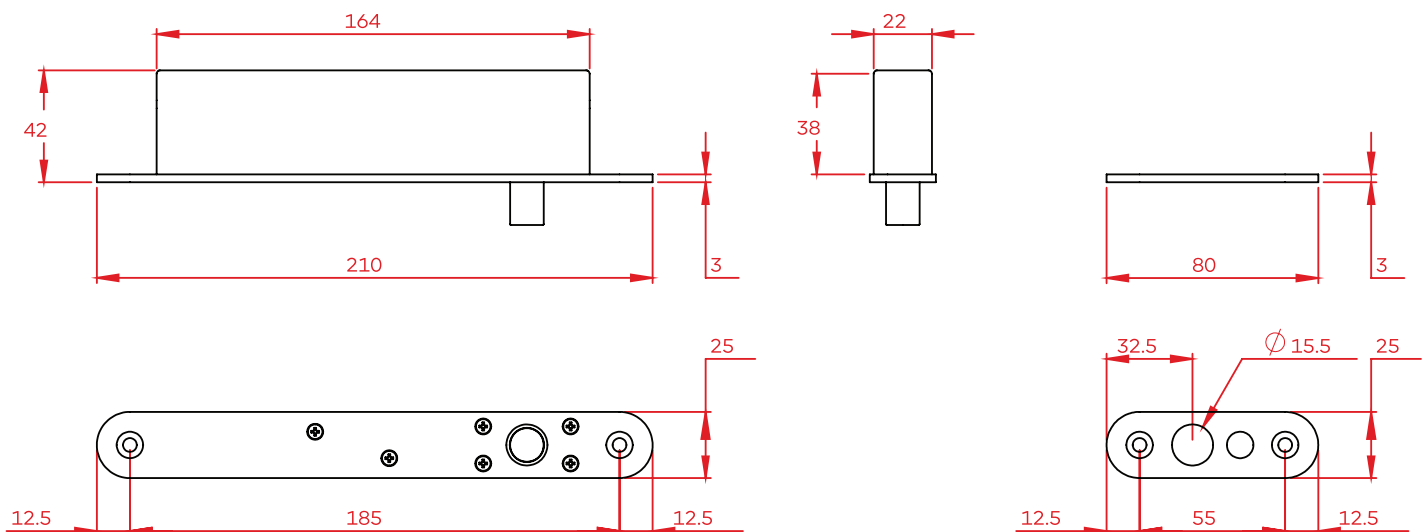


SPECIFICATIONS

- **Door Gap**
6mm maximum
- **Static Strength**
10,000 newtons (1,000Kg)
- **Endurance**
Cycle tested to 1,000,000 operations
- **Bolt Pin**
ø12.7mm, 16mm extension,
ø15.5mm reciever
- **Voltage at Lock**
12-24VDC \pm 10%
- **Current Usage**
Holding: 130mA@12V,
80mA@24V
Maximum: 1.5A@12V,
1.4A@24V
- **Monitor Switch Ratings**
24VDC, 0.5A
- **Materials**
Lock / Strike Plate: Stainless
Steel 304
Bolt Pin: Stainless Steel 304
- **Compliance and Certification**
CE Compliant, RoHS 2 Compliant
FCC Part 15 Compliant
- **Lock Variants**
YNL101A – Fail Safe Lock with
Short Strike Plate
YNL102A – Fail Secure Lock with
Short Strike Plate
- **Accessories**
YNL103A – Short Strike Plate
YNL103E – Long Strike Plate
YNL104J – Housing
YNL106J – Dress Plate

DIAGRAM - YD25

Diagrams are not to scale. Measurements are in millimeters (mm).



MODEL COMPARISON

NAME	APPLICATION	LIFECYCLE	HOLDING FORCE	LOCK DIMENSIONS	BOLT PIN DIMENSIONS	POWER USAGE
YD30 (COBALT)	Securing misaligned double acting doors, Releasing under sideload pressure	300,000	1000kg	255x30x51	10mm thick, 13mm extension (2 Pieces)	Input Voltage: 12-24VDC ± 15% Current (Stand By) 40mA - 30mA Current (Peak) 1A - 0.5A
YD30M (COBALT MINI)	Securing misaligned single acting doors, Releasing under sideload pressure	300,000	1000kg	160x30x51	10mm thick, 13mm extension	Input Voltage: 12-24VDC ± 15% Current (Stand By) 40mA - 30mA Current (Peak) 1A - 0.5A
YD25	Single Acting Doors	1,000,000	1000kg	210x25x42	12.7mm, 16mm extension	Input Voltage: 12-24VDC ± 15% Current (Stand By) 130mA - 80mA Current (Peak) 1A - 0.5A
YD25L	Double Acting Doors	1,000,000	1000kg	210x25x43	12.7mm, 16mm extension	Input Voltage: 12-24VDC ± 15% Current (Stand By) 130mA - 80mA Current (Peak) 1A - 0.5A
YD25K	Single Acting Doors	1,000,000	1000kg	210x25x44	12.7mm, 16mm extension	Input Voltage: 12-24VDC ± 15% Current (Stand By) 130mA - 80mA Current (Peak) 1A - 0.5A
YD38	Single Acting Doors	1,000,000	2000kg	203x37.5x44	14.2mm, 14mm extension	Input Voltage: 12-24VDC ± 15% Current (Stand By) 150mA - 90mA Current (Peak) 1A - 0.5A
YD38L	Single Acting Doors	1,000,000	2000kg	203x37.5x45	14.2mm, 14mm extension	Input Voltage: 12-24VDC ± 15% Current (Stand By) 150mA - 90mA Current (Peak) 1A - 0.5A
YG80	Securing all large openings, High strength, Extreme heat and cold environments	300000	5000kg	80x80x100	18mm, 30mm extension	Input Voltage: 12-24VDC ± 15% Current (Stand By) 40mA - 30mA Current (Peak) 1A - 0.5A - 2A with heater

WARRANTY

Unless specified otherwise, the Company warrants to the Customer that 'BQT Solutions Branded Products' (excluding third party products and software) are covered by a return to base warranty on defects in materials and workmanship affecting normal use for a period of the Warranty offered under the Standard Terms and Conditions of Sale from BQT invoice date ('Standard Warranty')

Information obtained in this document is subject to change without notice. For further technical or sales information, visit our website at www.bqtsolutions.com or email support@bqtsolutions.com