

SOLENOID LOCKS YD25K



Product Overview

The YD25K is a low voltage electronic deadbolting door lock with provision for manual override. Suited for securing commercial or residential doors because of its streamlined dimensions, the YD25K offers a great solution for narrow doors requiring a manual operation in addition to electronic control. Hidden in door frames or surfaces mounted to glass doors with the aid of accessories, this lock has been used successfully for over 25 years worldwide.

The benefits offered by utilising a market-leading solenoid drop bolt with the addition of a mechanical key override function when needed, all in a streamlined package.

Why BQT Solutions

BQT Solutions is a specialist in the development, manufacture and supply of high quality, high security card and biometric readers, electromechanical locks and related electronic security products. Providing high security solutions to verticals such as Airports, Hospitals, Prisons and Government for over 35 years.

Innovating today for a more secure tomorrow

Product Benefits

Benefit One

Mechanical key override provides the flexibility to have a fully access controlled site while still having a manual means to unlock a door if required.

Benefit Two

Reliable and durable, the YD25K has been tested and approved to offer continuous locking for over 1,000,000 cycles. This, coupled with a holding force of 10,000N, ensures long term security in high traffic environments.

Benefit Three

Offering feedback to the control panel of the door, bolt and key positions is a standard feature of the YD25K. Monitoring the position of the door and whether the bolt pin is extended or retracted provides vital information needed to ensure a site is safe and secure.

Benefit Four

Flexibility in installation as the YD25K only requires low voltage power and signals to operate and can connect into any access system making wiring easy.

PRODUCT FEATURES

Key Override

The YD25K is compatible with a euro-style key cylinder for mechanically overriding the deadbolt when set to fail secure and electrically overriding the lock when set to fail-safe.

Reliability

The durable design of the Solenoid Drop bolt range has made it one of the most reliable electromechanical locks in the world, rated at 1,000,000 cycles.

Complete Monitoring

The YD25K can output the bolt position, door position and key position as monitor signals. Monitoring the position of the door, whether the lock is open or closed and if the key is in activated or not, the YD25K will connect to your access control system to display the status of the lock for security.

High Security

With a stainless-steel bolt pin, the YD25K has a holding force in excess of 10,000N. In addition, onboard control provides auto-relock and timed relock for added security.

Low Current Consumption

The YD25K will draw as little as 160mA holding current at 12VDC by utilising the built-in current reduction circuitry. Low current paired with high-security access control makes the YD25K a preferred product choice for many industry leaders.

Integrated Access Control

With factory-set fail safe and fail secure variants and multiple attempts to lock or unlock, the YD25K is ready for a wide range of application requirements. It can be integrated easily with access control or alarm systems.

Versatile Installation

The YD25K can be morticed flush into both the side, or top of many door frames although with the mechanical key override it is common to have it in the side. The lock is supplied with a short strike plate as standard but additional items are available in the form of a long strike plate, housing, and dress plate. These products allow the lock to be surface mounted when mortice installation isn't a preferred, or viable option. The housing and dress plates are supplied with self-adhesive tape for instant application to glass doors and door frames.

PRODUCT APPLICATIONS

Sites that require electronic access control with the flexibility of a mechanical override of the lock. Typically seen in commercial applications but have been used across all market sectors to solve unique problems.

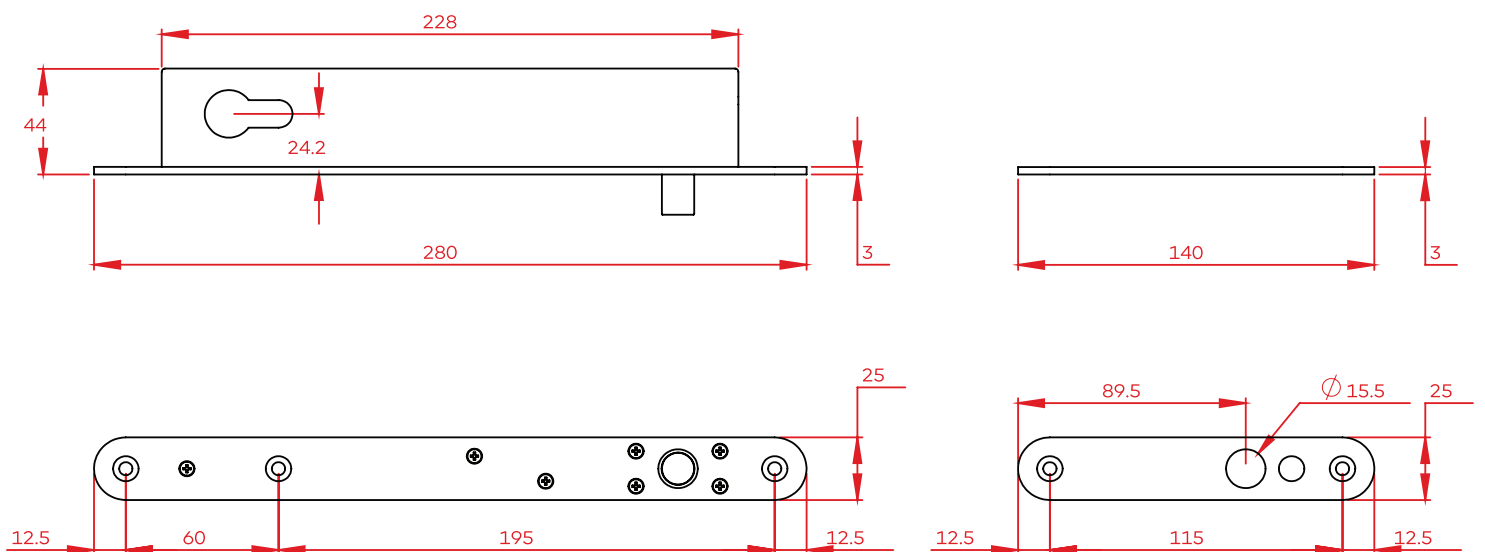


SPECIFICATIONS

- **Door Gap**
6mm maximum
- **Static Strength**
10,000 newtons (1,000Kg)
- **Endurance**
Cycle tested to 1,000,000 operations
- **Bolt Pin**
ø12.7mm, 16mm extension,
ø15.5mm reciever
- **Key Cylinder**
Euro-style (not included)
- **Voltage at Lock**
12-24VDC ±10%
- **Current Usage**
Holding: 130mA@12V,
80mA@24V
Maximum: 1.5A@12V, 1.4A@24V
- **Monitor Switch Ratings**
24VDC, 0.5A
- **Materials**
Lock / Strike Plate: Stainless
Steel 304
Bolt Pin: Stainless Steel 304
- **Compliance and Certification**
CE Compliant, RoHS 2 Compliant
FCC Part 15 Compliant
- **Lock Variants**
YNL141A– Fail Safe Lock with
Short Strike Plate
YNL142A – Fail Secure Lock with
Short Strike Plate
- **Accessories**
YNL143A – Short Strike Plate
YNL143E – Long Strike Plate
YNL144J – Lock Housing
YNL145J – Long Strike Housing
YNL146J – Dress Plate

DIAGRAM - YD25K

Diagrams are not to scale. Measurements are in millimeters (mm).



MODEL COMPARISON

NAME	APPLICATION	LIFECYCLE	HOLDING FORCE	LOCK DIMENSIONS	BOLT PIN DIMENSIONS	POWER USAGE
YD30 (COBALT)	Securing misaligned double acting doors, Releasing under sideload pressure	300,000	1000kg	255x30x51	10mm thick, 13mm extension (2 Pieces)	Input Voltage: 12-24VDC ± 15% Current (Stand By) 40mA - 30mA Current (Peak) 1A - 0.5A
YD30M (COBALT MINI)	Securing misaligned single acting doors, Releasing under sideload pressure	300,000	1000kg	160x30x51	10mm thick, 13mm extension	Input Voltage: 12-24VDC ± 15% Current (Stand By) 40mA - 30mA Current (Peak) 1A - 0.5A
YD25	Single Acting Doors	1,000,000	1000kg	210x25x42	12.7mm, 16mm extension	Input Voltage: 12-24VDC ± 15% Current (Stand By) 130mA - 80mA Current (Peak) 1A - 0.5A
YD25L	Double Acting Doors	1,000,000	1000kg	210x25x43	12.7mm, 16mm extension	Input Voltage: 12-24VDC ± 15% Current (Stand By) 130mA - 80mA Current (Peak) 1A - 0.5A
YD25K	Single Acting Doors	1,000,000	1000kg	210x25x44	12.7mm, 16mm extension	Input Voltage: 12-24VDC ± 15% Current (Stand By) 130mA - 80mA Current (Peak) 1A - 0.5A
YD38	Single Acting Doors	1,000,000	2000kg	203x37.5x44	14.2mm, 14mm extension	Input Voltage: 12-24VDC ± 15% Current (Stand By) 150mA - 90mA Current (Peak) 1A - 0.5A
YD38L	Single Acting Doors	1,000,000	2000kg	203x37.5x45	14.2mm, 14mm extension	Input Voltage: 12-24VDC ± 15% Current (Stand By) 150mA - 90mA Current (Peak) 1A - 0.5A
YG80	Securing all large openings, High strength, Extreme heat and cold environments	300000	5000kg	80x80x100	18mm, 30mm extension	Input Voltage: 12-24VDC ± 15% Current (Stand By) 40mA - 30mA Current (Peak) 1A - 0.5A - 2A with heater

WARRANTY

Unless specified otherwise, the Company warrants to the Customer that 'BQT Solutions Branded Products' (excluding third party products and software) are covered by a return to base warranty on defects in materials and workmanship affecting normal use for a period of the Warranty offered under the Standard Terms and Conditions of Sale from BQT invoice date ('Standard Warranty')

Information obtained in this document is subject to change without notice. For further technical or sales information, visit our website at www.bqtsolutions.com or email support@bqtsolutions.com

© 2022 BQT Solutions (NZ) Limited. All rights reserved. BQT Solutions (NZ) Limited reserves the right to upgrade or change products or documentation without prior notice. An AVA Group Company.