

# SOLENOID LOCKS YD25L



## Product Overview

The YD25L is the world's first dual action, self-latching, electronic deadbolting door lock. Designed to reduce door alignment and door rattle problems, the YD25L first 'captures' the door with a magnetic latch, then secures the door with its deadbolting lock pin. This dual action helps the lock align correctly with the strike plate allowing for consistent locking even on swing through doors. Hidden in door frames or surfaces mounted to glass doors with the aid of accessories, this unique lock offers something new to the market.

### Why BQT Solutions

BQT Solutions is a specialist in the development, manufacture and supply of high quality, high security card and biometric readers, electromechanical locks and related electronic security products. Providing high security solutions to verticals such as Airports, Hospitals, Prisons and Government for over 35 years.

*Innovating today for a more secure tomorrow*

## Product Benefits

### Benefit One

A premier solenoid drop bolt with all the features expected from a top-of-the-line product and a unique integrated magnetic latch designed to help correct door alignment issues and eliminate door rattle.

### Benefit Two

The narrow design of the YD25L makes it the ideal lock for thinner door frames and provides a completely concealed solution when morticed.

### Benefit Three

The narrow design of the YD25L makes it the ideal lock for thinner door frames and provides a completely concealed solution when morticed.

### Benefit Four

Offering feedback to the control panel of the door and bolt positions is a standard feature of the YD25L. Monitoring the position of the door and whether the bolt pin is extended or retracted provides vital information needed to ensure a site is safe and secure.

---

## PRODUCT FEATURES

### Alignment

---

The YD25L has a built-in magnet latch, which helps ensure the correct positioning of the lock and strikes every time. Perfect for swing through doors, rattling doors, or misaligned doors.

### Reliability

---

The durable design of the Solenoid Drop bolt range has made it one of the most reliable electromechanical locks in the world, rated at 1,000,000 cycles

### Complete Monitoring

---

The YD25L can output both the bolt position and the door position as monitor signals. Monitoring the position of the door and whether the lock is open or closed, the YD25L will connect to your access control system to display the status of the lock for security.

### High Security

---

With a stainless-steel bolt pin, the YD25L has a holding force in excess of 10,000N. In addition, onboard control provides auto-relock and timed relock for added security.

### Low Current Consumption

---

The YD25L will draw as little as 160mA holding current at 12VDC by utilising the built-in current reduction circuitry. Low current paired with high-security access control makes the YD25L a preferred product choice for many industry leaders

### Integrated Access Control

---

With factory-set fail safe and fail secure variants and multiple attempts to lock or unlock, the YD25L is ready for a wide range of application requirements. It can be integrated easily with access control or alarm systems.

### Versatile Installation

---

The YD25L can be morticed flush into both the side, or top of many door frames. The lock is supplied with a matching strike plate as standard but additional items are available in the form of a housing and dress plate. These products allow the lock to be surface mounted when mortice installation isn't a preferred, or viable option. The housing and dress plates are supplied with self-adhesive tape for instant application to glass doors and door frames.

---

## PRODUCT APPLICATIONS

Ideal for swing through doors that have small door alignment or door rattle issues. Widely used in commercial applications and very common on glass doors.

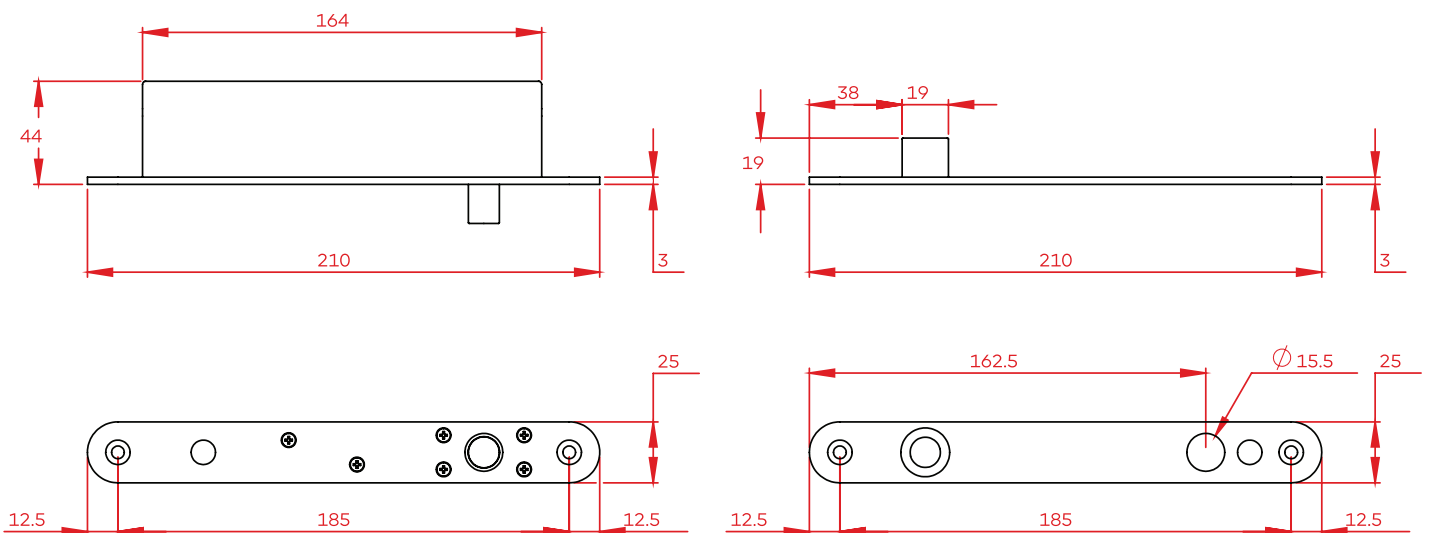


## SPECIFICATIONS

- **Door Gap**  
6mm maximum
- **Static Strength**  
10,000 newtons (1,000Kg)
- **Endurance**  
Cycle tested to 1,000,000 operations
- **Bolt Pin**  
ø12.7mm, 16mm extension,  
ø15.5mm reciever
- **Voltage at Lock**  
12-24VDC ±10%
- **Current Usage**  
Holding: 130mA@12V,  
80mA@24V  
Maximum: 1.5A@12V,  
1.4A@24V
- **Monitor Switch Ratings**  
24VDC, 0.5A
- **Materials**  
Lock / Strike Plate: Stainless  
Steel 304  
Bolt Pin: Stainless Steel 304
- **Compliance and Certification**  
CE Compliant, RoHS 2 Compliant  
FCC Part 15 Compliant
- **Lock Variants**  
YNL131E – Fail Safe Lock with  
Long Strike Plate  
YNL132E – Fail Secure Lock with  
Long Strike Plate
- **Accessories**  
YNL133E – Long Strike Plate  
YNL104J – Housing  
YNL106J – Dress Plate

## DIAGRAM - YD25L

Diagrams are not to scale. Measurements are in millimeters (mm).



## MODEL COMPARISON

NAME	APPLICATION	LIFECYCLE	HOLDING FORCE	LOCK DIMENSIONS	BOLT PIN DIMENSIONS	POWER USAGE
<b>YD30 (COBALT)</b>	Securing misaligned double acting doors, Releasing under sideload pressure	300,000	1000kg	255x30x51	10mm thick, 13mm extension (2 Pieces)	Input Voltage: 12-24VDC ± 15% Current (Stand By) 40mA - 30mA Current (Peak) 1A - 0.5A
<b>YD30M (COBALT MINI)</b>	Securing misaligned single acting doors, Releasing under sideload pressure	300,000	1000kg	160x30x51	10mm thick, 13mm extension	Input Voltage: 12-24VDC ± 15% Current (Stand By) 40mA - 30mA Current (Peak) 1A - 0.5A
<b>YD25</b>	Single Acting Doors	1,000,000	1000kg	210x25x42	12.7mm, 16mm extension	Input Voltage: 12-24VDC ± 15% Current (Stand By) 130mA - 80mA Current (Peak) 1A - 0.5A
<b>YD25L</b>	Double Acting Doors	1,000,000	1000kg	210x25x43	12.7mm, 16mm extension	Input Voltage: 12-24VDC ± 15% Current (Stand By) 130mA - 80mA Current (Peak) 1A - 0.5A
<b>YD25K</b>	Single Acting Doors	1,000,000	1000kg	210x25x44	12.7mm, 16mm extension	Input Voltage: 12-24VDC ± 15% Current (Stand By) 130mA - 80mA Current (Peak) 1A - 0.5A
<b>YD38</b>	Single Acting Doors	1,000,000	2000kg	203x37.5x44	14.2mm, 14mm extension	Input Voltage: 12-24VDC ± 15% Current (Stand By) 150mA - 90mA Current (Peak) 1A - 0.5A
<b>YD38L</b>	Single Acting Doors	1,000,000	2000kg	203x37.5x45	14.2mm, 14mm extension	Input Voltage: 12-24VDC ± 15% Current (Stand By) 150mA - 90mA Current (Peak) 1A - 0.5A
<b>YG80</b>	Securing all large openings, High strength, Extreme heat and cold environments	300000	5000kg	80x80x100	18mm, 30mm extension	Input Voltage: 12-24VDC ± 15% Current (Stand By) 40mA - 30mA Current (Peak) 1A - 0.5A - 2A with heater

## WARRANTY

Unless specified otherwise, the Company warrants to the Customer that 'BQT Solutions Branded Products' (excluding third party products and software) are covered by a return to base warranty on defects in materials and workmanship affecting normal use for a period of the Warranty offered under the Standard Terms and Conditions of Sale from BQT invoice date ('Standard Warranty')

Information obtained in this document is subject to change without notice. For further technical or sales information, visit our website at [www.bqtsolutions.com](http://www.bqtsolutions.com) or email [support@bqtsolutions.com](mailto:support@bqtsolutions.com)

© 2022 BQT Solutions (NZ) Limited. All rights reserved. BQT Solutions (NZ) Limited reserves the right to upgrade or change products or documentation without prior notice. An AVA Group Company.