

SOLENOID LOCKS YD38L



Product Overview

The YD38L is the world's first dual action, self-latching, electronic deadbolting door lock. Designed to reduce door alignment and door rattle problems, the YD38L first 'captures' the door with a magnetic latch, then secures the door with its deadbolting lock pin. This dual action helps the lock align correctly with the strike plate allowing for consistent locking even on swing through doors. Hidden in door frames or surfaces mounted to glass doors with the aid of accessories, this unique lock offers something new to the market.

Because of its larger size, the YD38L is primarily designed for securing commercial doors, and with the magnetic latch addition, this innovative lock offers a perfect solution for secure, reliable operation.

Why BQT Solutions

BQT Solutions is a specialist in the development, manufacture and supply of high quality, high security card and biometric readers, electromechanical locks and related electronic security products. Providing high security solutions to verticals such as Airports, Hospitals, Prisons and Government for over 35 years.

Innovating today for a more secure tomorrow

Product Benefits

Benefit One

A premier solenoid drop bolt with all the features expected from a top-of-the-line product and a unique integrated magnetic latch designed to help correct door alignment issues and eliminate door rattle.

Benefit Two

Highest level of security offered from the BQT solenoid range with a holding force over 20,000N.

Benefit Three

Reliable and durable, the YD38L has been tested and approved to offer continuous locking for over 1,000,000 cycles making it well suited for high security, high traffic environments.

Benefit Four

Offering feedback to the control panel of the door and bolt positions is a standard feature of the YD38L. Monitoring the position of the door and whether the bolt pin is extended or retracted provides vital information needed to ensure a site is safe and secure.

PRODUCT FEATURES

Reliability

The durable design of the Solenoid Drop bolt range has made it one of the most reliable electromechanical locks in the world, rated at 1,000,000 cycles.

Complete Monitoring

The YD38L can output both the bolt position and the door position as monitor signals. Monitoring the position of the door and whether the lock is open or closed, the YD38L will connect to your access control system to display the status of the lock for security.

High Security

With a stainless-steel bolt pin, the YD38L has a holding force in excess of 20,000N. In addition, onboard control provides auto-relock and timed relock for added security.

Alignment

The YD38L has a built-in magnet latch, which helps ensure the correct positioning of the lock and strikes every time. Perfect for swing through doors, rattling doors, or misaligned doors.

Low Current Consumption

The YD38L will draw as little as 230mA holding current at 12VDC by utilising the built-in current reduction circuitry. Low current paired with high-security access control makes the YD38L a preferred product choice for many industry leaders.

Integrated Access Control

With factory-set fail safe and fail secure variants and multiple attempts to lock or unlock, the YD38L is ready for a wide range of application requirements. It can be integrated easily with access control or alarm systems.

Versatile Installation

The YD38L can be morticed flush into both the side, or top of many door frames. The lock is supplied with a matching strike plate as standard but additional items are available in the form of a housing and dress plate. These products allow the lock to be surface mounted when mortice installation isn't a preferred, or viable option. The housing and dress plates are supplied with self-adhesive tape for instant application to glass doors and door frames.

PRODUCT APPLICATIONS

Ideal for swing through doors that have small door alignment or door rattle issues and larger high traffic flow doors requiring a reliable, high security solution. Used across all market sectors around the globe or over 25 years.

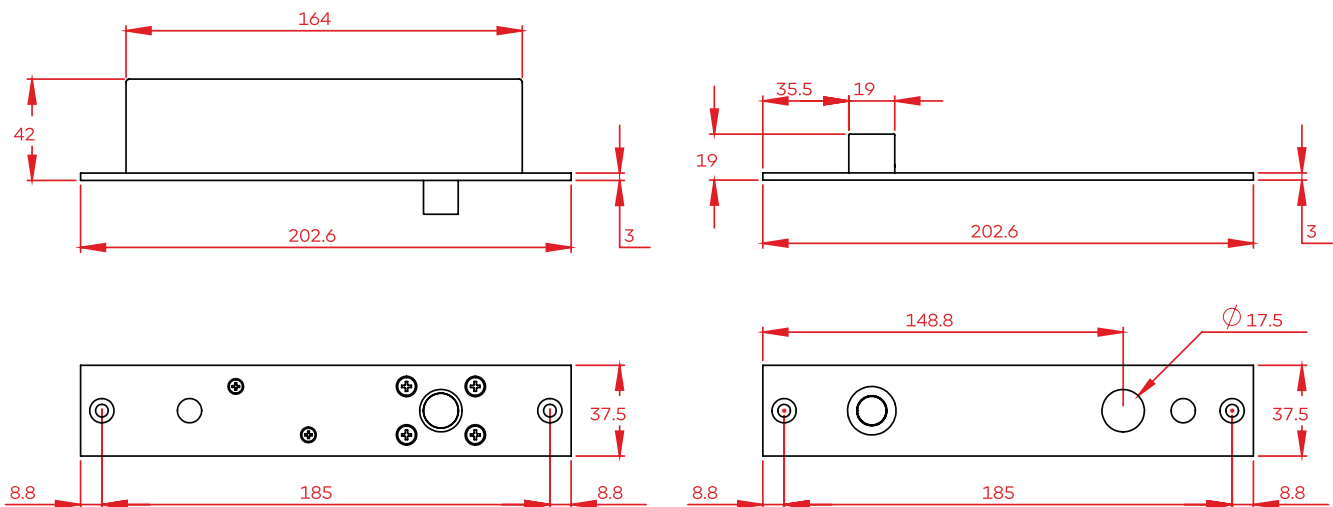


SPECIFICATIONS

- **Door Gap**
6mm maximum
- **Static Strength**
20,000 newtons (2,000Kg)
- **Endurance**
Cycle tested to 1,000,000 operations
- **Bolt Pin**
Ø14.2, 14mm extension,
Ø17.5mm receiver
- **Voltage at Lock**
12-24VDC \pm 10%
- **Current Usage**
Holding: 150mA@12V,
90mA@24V
Maximum: 1.5A@12V,
1.4A@24V
- **Monitor Switch Ratings**
24VDC, 0.5A
- **Materials**
Lock / Strike Plate: Stainless
Steel 304
Bolt Pin: Stainless Steel 304
- **Compliance and Certification**
CE Compliant, RoHS 2
Compliant
- **Lock Variants**
YNL181G – Fail Safe Lock with
Short Strike Plate
YNL182G – Fail Secure Lock
with Short Strike Plate
- **Accessories**
YNL183G – Long Strike Plate
YNL174J – Housing
YNL176J – Dress Plate

DIAGRAM - YD38L

Diagrams are not to scale. Measurements are in millimeters (mm).



MODEL COMPARISON

NAME	APPLICATION	LIFECYCLE	HOLDING FORCE	LOCK DIMENSIONS	BOLT PIN DIMENSIONS	POWER USAGE
YD30 (COBALT)	Securing misaligned double acting doors, Releasing under sideload pressure	300,000	1000kg	255x30x51	10mm thick, 13mm extension (2 Pieces)	Input Voltage: 12-24VDC ± 15% Current (Stand By) 40mA - 30mA Current (Peak) 1A - 0.5A
YD30M (COBALT MINI)	Securing misaligned single acting doors, Releasing under sideload pressure	300,000	1000kg	160x30x51	10mm thick, 13mm extension	Input Voltage: 12-24VDC ± 15% Current (Stand By) 40mA - 30mA Current (Peak) 1A - 0.5A
YD25	Single Acting Doors	1,000,000	1000kg	210x25x42	12.7mm, 16mm extension	Input Voltage: 12-24VDC ± 15% Current (Stand By) 130mA - 80mA Current (Peak) 1A - 0.5A
YD25L	Double Acting Doors	1,000,000	1000kg	210x25x43	12.7mm, 16mm extension	Input Voltage: 12-24VDC ± 15% Current (Stand By) 130mA - 80mA Current (Peak) 1A - 0.5A
YD25K	Single Acting Doors	1,000,000	1000kg	210x25x44	12.7mm, 16mm extension	Input Voltage: 12-24VDC ± 15% Current (Stand By) 130mA - 80mA Current (Peak) 1A - 0.5A
YD38	Single Acting Doors	1,000,000	2000kg	203x37.5x44	14.2mm, 14mm extension	Input Voltage: 12-24VDC ± 15% Current (Stand By) 150mA - 90mA Current (Peak) 1A - 0.5A
YD38L	Single Acting Doors	1,000,000	2000kg	203x37.5x45	14.2mm, 14mm extension	Input Voltage: 12-24VDC ± 15% Current (Stand By) 150mA - 90mA Current (Peak) 1A - 0.5A
YG80	Securing all large openings, High strength, Extreme heat and cold environments	300000	5000kg	80x80x100	18mm, 30mm extension	Input Voltage: 12-24VDC ± 15% Current (Stand By) 40mA - 30mA Current (Peak) 1A - 0.5A - 2A with heater

WARRANTY

Unless specified otherwise, the Company warrants to the Customer that 'BQT Solutions Branded Products' (excluding third party products and software) are covered by a return to base warranty on defects in materials and workmanship affecting normal use for a period of the Warranty offered under the Standard Terms and Conditions of Sale from BQT invoice date ('Standard Warranty')

Information obtained in this document is subject to change without notice. For further technical or sales information, visit our website at www.bqtsolutions.com or email support@bqtsolutions.com

© 2022 BQT Solutions (NZ) Limited. All rights reserved. BQT Solutions (NZ) Limited reserves the right to upgrade or change products or documentation without prior notice. An AVA Group Company.