

# WEATHERPROOF LOCKS

## YG80

Orca



### Product Overview

The YG80 lock is the most advanced BQT Solutions roller door and gate lock to date. The lock is suited for indoor and outdoor environments, providing a solution for roller doors and oversized doors and gates. Made for any climate and any entry, this award-winning breakthrough product is a motor-driven, high strength lock for securing any opening that needs true security.

### Why BQT Solutions

BQT Solutions is a specialist in the development, manufacture and supply of high quality, high security card and biometric readers, electromechanical locks and related electronic security products. Providing high security solutions to verticals such as Airports, Hospitals, Prisons and Government for over 35 years.

*Innovating today for a more secure tomorrow*

### Product Benefits

#### Benefit One

Ideal for many situations and challenging jobs, we say around the office that the YG80 is ideal for 'securing any, and all large openings'. The Orca has been used globally to secure and strengthen security for all kinds of use cases, from roller doors to security gates, cargo containers, and even animal enclosures.

#### Benefit Two

Offering feedback to the control panel of the door and bolt positions is a standard feature of the YG80. Monitoring the position of the door and whether the bolt pin is extended or retracted provides vital information needed to ensure a site is safe and secure. In addition, a tamper monitor will let you know if the lock is being attacked.

#### Benefit Three

Its versatility and ability to work in all kinds of environments. The Orca lock is reliable inside and out, in the 40°C summer heat and the worst storms during winter. It holds an IP67 rating and is reliable in all situations, it even comes with and onboard heater.

#### Benefit Four

Flexibility in installation as the Orca only requires low voltage power and signals to operate and can connect into any access system making wiring easy.

---

## PRODUCT FEATURES

### High Security

---

With an 18mm diameter stainless steel bolt pin and reinforced strike design, the Orca has a tested and approved holding force that exceeds the highest level of the UL Burglary Resistant Electric Locking standard UL 1034. The mounting bolts for the lock are concealed under the lock's cover, which can't be removed without triggering the tamper detection monitor.

### Complete Monitoring

---

The Orca has a range of output signals - bolt locked and unlocked position, door position, and tamper detection. Monitoring the position of the door and whether the lock is open or closed, the Orca will connect to your access control system to display the status of the lock for security.

### Integrated Access Control

---

With user-selectable fail safe / fail secure modes, three user-selectable control methods, and multiple attempts to lock or unlock, the Orca is ready for a wide range of application requirements and can be integrated with many access control or alarm systems.

### UL Listed

---

Holding the UL certification, the Orca has been tested and awarded the American Standard - UL certification, which specifies requirements and test methods for strength and durability of electrical and electronic components for all types of electromechanically operated locks and striking plates used on doors, window doors and entrance doors in buildings, and has complied with these standards and testing, to ensure product integrity.

### Weatherproof

---

The Orca has been designed from the ground up with weatherproofing as a critical feature. With an IP67 certified design, E-coated aluminium lock body and strike for excellent corrosion resistance, and a built-in heater for continued functionality in sub-zero climates, the Orca can handle any environment it is placed in.

### Low Current Consumption

---

With the heater disabled, the Orca will draw as little as 50mA in standby and only 300mA operation at 12VDC. Low current paired with high-security access control makes the Orca a preferred product choice for many industry leaders.

### Versatile Installation

---

The symmetrical design means the YG80 can be installed both horizontally and vertically in indoor and outdoor environments. In addition, the included three-metre flying cable ensures easy connection for all the monitoring, control, and the 12-24VDC power supply.

---

## PRODUCT APPLICATIONS

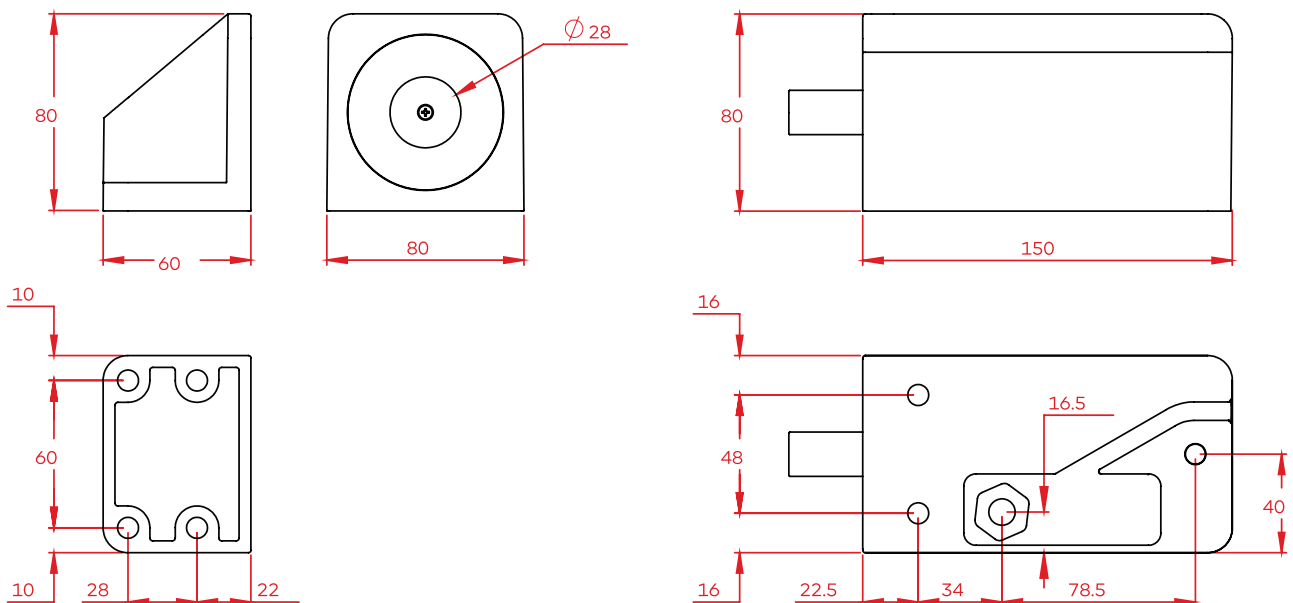
Used where strength is the dominate requirement and where the environment is unrelenting. Commonly seen on gates and shipping containers but used to solve a wide variety of locking problems for large openings. Military, Corporate and Government sectors are the biggest users.

## SPECIFICATIONS

- **Door Gap**  
15mm maximum
- **Static Strength**  
50,000 newtons (5,000Kg)
- **Dynamic Strength**  
200 joules (factory tested to UL 1034 standard)
- **Endurance**  
Cycle tested to 300,000 operations
- **Bolt Pin**  
ø18mm, 30mm extension, ø28mm receiver
- **Voltage at Lock**  
12 - 24VDC ±15%
- **Current Usage**  
Standby: 40mA@12V, 30mA@24V  
Maximum: 1.0A@12V, 0.5A@24V, 2.0A@24V with heater on
- **Monitor Switch Ratings**  
24VDC, 0.25A
- **Materials**  
Lock / Strike Body: Aluminium 383  
Bolt Pin: Stainless Steel 304  
Strike Ring: UV Stabilized ABS
- **Compliance and Certification**  
CE Compliant, RoHS 2 Compliant  
FCC Part 15 / ISED Compliant  
IP67 Ingress Protection  
Grade 4 Corrosion Resistance (EN 1670:2007)  
Cold Operation -35°C (EN 60068-2-1:2007)  
Dry Heat Operation +70°C (EN 60068-2-2:2007)
- **Lock Variants**  
YNL300A – Lock with Strike
- **Accessories**  
YNL303A – Strike

## DIAGRAM - YG80

Diagrams are not to scale. Measurements are in millimeters (mm).



## MODEL COMPARISON

| NAME                       | APPLICATION  | LIFECYCLE | HOLDING FORCE | LOCK DIMENSIONS | BOLT PIN DIMENSIONS                   | POWER USAGE  |
|----------------------------|--|-----------|---------------|-----------------|---------------------------------------|--|
| <b>YD30 (COBALT)</b>       | Securing misaligned double acting doors, Releasing under sideload pressure     | 300,000   | 1000kg        | 255x30x51       | 10mm thick, 13mm extension (2 Pieces) | Input Voltage: 12-24VDC ± 15%<br>Current (Stand By) 40mA - 30mA<br>Current (Peak) 1A - 0.5A                  |
| <b>YD30M (COBALT MINI)</b> | Securing misaligned single acting doors, Releasing under sideload pressure     | 300,000   | 1000kg        | 160x30x51       | 10mm thick, 13mm extension            | Input Voltage: 12-24VDC ± 15%<br>Current (Stand By) 40mA - 30mA<br>Current (Peak) 1A - 0.5A                  |
| <b>YD25</b>                | Single Acting Doors  | 1,000,000 | 1000kg        | 210x25x42       | 12.7mm, 16mm extension                | Input Voltage: 12-24VDC ± 15%<br>Current (Stand By) 130mA - 80mA<br>Current (Peak) 1A - 0.5A                 |
| <b>YD25L</b>               | Double Acting Doors  | 1,000,000 | 1000kg        | 210x25x43       | 12.7mm, 16mm extension                | Input Voltage: 12-24VDC ± 15%<br>Current (Stand By) 130mA - 80mA<br>Current (Peak) 1A - 0.5A                 |
| <b>YD25K</b>               | Single Acting Doors  | 1,000,000 | 1000kg        | 210x25x44       | 12.7mm, 16mm extension                | Input Voltage: 12-24VDC ± 15%<br>Current (Stand By) 130mA - 80mA<br>Current (Peak) 1A - 0.5A                 |
| <b>YD38</b>                | Single Acting Doors  | 1,000,000 | 2000kg        | 203x37.5x44     | 14.2mm, 14mm extension                | Input Voltage: 12-24VDC ± 15%<br>Current (Stand By) 150mA - 90mA<br>Current (Peak) 1A - 0.5A                 |
| <b>YD38L</b>               | Single Acting Doors  | 1,000,000 | 2000kg        | 203x37.5x45     | 14.2mm, 14mm extension                | Input Voltage: 12-24VDC ± 15%<br>Current (Stand By) 150mA - 90mA<br>Current (Peak) 1A - 0.5A                 |
| <b>YG80</b>                | Securing all large openings, High strength, Extreme heat and cold environments | 300000    | 5000kg        | 80x80x100       | 18mm, 30mm extension                  | Input Voltage: 12-24VDC ± 15%<br>Current (Stand By) 40mA - 30mA<br>Current (Peak) 1A - 0.5A - 2A with heater |

## WARRANTY

Unless specified otherwise, the Company warrants to the Customer that 'BQT Solutions Branded Products' (excluding third party products and software) are covered by a return to base warranty on defects in materials and workmanship affecting normal use for a period of the Warranty offered under the Standard Terms and Conditions of Sale from BQT invoice date ('Standard Warranty')

Information obtained in this document is subject to change without notice. For further technical or sales information, visit our website at [www.bqtsolutions.com](http://www.bqtsolutions.com) or email [support@bqtsolutions.com](mailto:support@bqtsolutions.com)

© 2022 BQT Solutions (NZ) Limited. All rights reserved. BQT Solutions (NZ) Limited reserves the right to upgrade or change products or documentation without prior notice. An AVA Group Company.