



YG80

The YG80 lock is an advanced roller door and gate lock designed and manufactured by BQT Solutions. The lock is suited for indoor and outdoor environments, providing a solution for gates, roller, and oversized doors.

Made for any climate and any entry, this award-winning breakthrough product is a motor-driven, high strength lock for securing any opening that needs true security.





BENEFITS

01

Able to be used in the most extreme environments the YG80 has an IP67 rating and a built-in heater for installations in subzero conditions.

02

With a holding force of up to 39,000N (8,800 lbf) and on-board monitors to provide status feedback, the YG80 offers unmatched security.

03

Because of its symmetrical design and various control options, the YG80 is ideally suited to solve even the most challenging installations.

04

Installing the YG80 on the secure side of an opening helps remove potentially weak security points, a crucial step in ensuring a facility's security.

FEATURES



Complete Monitoring

The YG80 has a range of output signals - bolt locked and unlocked position, door position, and tamper detection. Monitoring the position of the door and whether the lock is open or closed provides complete confidence of the facilities security in addition to potential integrations into other devices.



Weatherproof

The YG80 has been designed from the ground up with weather-proofing as a critical feature. With an IP67 certified design, corrosion and UV resistant body and strike material, and a built-in heater for continued functionality in sub-zero climates, the YG80 can handle any environment.



Low Current Consumption

With the heater disabled the YG80 will draw as little as 40mA in stand-by and 1A in operation at 12VDC. The low power usage of the YG80 makes it a preferred product for many locations offering a unique balance of high security while still being eco-friendly and economical.



Durability

Tested for endurance for over 300,000 cycles, the YG80 offers security in medium volume traffic environments.



Integrated Access Control

With user-selectable fail safe / fail secure modes, three user-selectable control methods, and multiple attempts to lock or unlock, the YG80 can be connected and controlled in numerous ways giving the installer and user unrestricted flexibility.



High Security

With an 18mm diameter stainless steel bolt pin and reinforced strike, the YG80 has a tested holding force that exceeds the highest level of UL 1034, Burglary Resistant Electric Locking. The locks mounting bolts are concealed under the cover which is monitored for tamper detection.



Versatile Installation

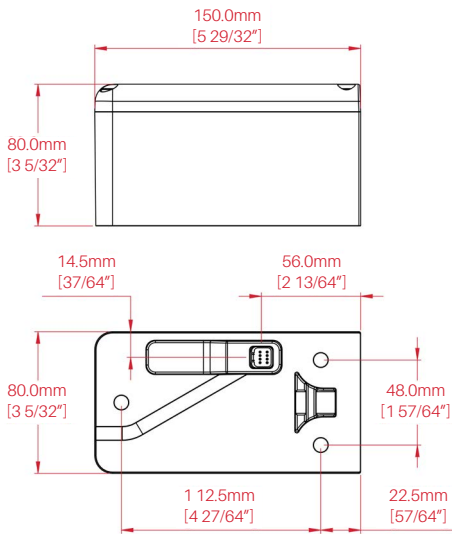
The symmetrical design means the YG80 can be installed both horizontally and vertically in indoor and outdoor environments. In addition, the included three metre plug in cable ensures easy connection for the power, control and monitoring functions.



Certified

The YG80 has been fully certified for global use including being tested to UL 294, UL 1034, FCC and CE. Additionally, numerous environmental standards were conducted with heat, cold, and corrosion resistance all determined.

SPECIFICATIONS



Door Gap

15mm (5/8 inch) maximum

Static strength

39,000N (8,800 lbf)

Dynamic Strength

200 joules

Endurance

Cycle tested to 300,000 operations

Bolt Pin

Ø18mm (11/16 inch),
30mm (1 3/16 inch) extension,
Ø28mm (1 1/8 inch) receiver

Locking / Unlocking Time

4.5 seconds (typical)

Voltage at lock

12-24VDC ±15%

Current usage

Holding: 40mA@12VDC,
30mA@24VDC

Maximum: 1A@12VDC,
2A@24VDC with heater on

Monitor switch ratings

24VDC max, 250mA max

Environment

IP67 Rated

Corrosion: 240 hours salt spray

Cold: -35°C (-31°F) for 2 hours

Dry Heat: +70°C (+158°F) for 2 hours

Materials

Bolt Pin: Stainless Steel SS304

Lock Body / Strike: Aluminum A383

Lid: Glass Fiber Reinforced, UV Stabilised Polypropylene

Compliance & Certification

- CE Compliant, RoHS 2 Compliant
- FCC Part 15 / IC Compliant
- RCM Compliant
- UL 294 and UL 1034 certified

Lock

YNL300A - YG80 Lock and Strike

Accessories

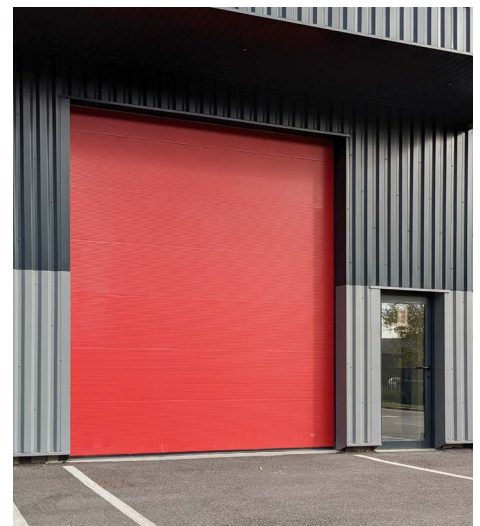
YNL300A - YG80 Strike

YNL309A - YG80 Wire loom - 3m

APPLICATIONS

Any large opening that demands the highest security, is exposed to the most extreme weather conditions, and requires access control operation including chain of custody.

Commonly seen on overhead doors, gates and trucks. Useful in most market verticals.



MODEL COMPARISON

NAME	APPLICATION	LIFECYCLE	HOLDING FORCE	LOCK DIMENSIONS	BOLT PIN DIMENSIONS	POWER USAGE
YD30S (COBALT SINGLE)	Single acting doors, correcting misalignment, releasing under sideload pressure	1,000,000	1,000kg (2,200lbf)	160 x 30 x 47mm (6 19/64 x 1 3/16 x 1 27/32")	10mm (3/8") thick, 13mm (1/2") extension	Input Voltage: 12-24VDC ± 15% Current: Standby 40mA@12V, Peak 0.75A@12V
YD30D (COBALT DOUBLE)	Double acting doors, correcting misalignment, releasing under sideload pressure	1,000,000	1,000kg (2,200lbf)	255 x 30 x 47mm (10 3/64 x 1 3/16 x 1 27/32")	10mm (3/8") thick, 13mm (1/2") extension, (2 pieces)	Input Voltage: 12-24VDC ± 15% Current: Standby 40mA@12V, Peak 0.75A@12V
YD25	Single acting doors, slim profile, high usage	1,000,000	1,000kg (2,200lbf)	210 x 25 x 43mm (8 17/64 x 1 x 1 11/16")	Ø 12.7mm (1/2"), 16mm (5/8") extension	Input Voltage: 12-24VDC ± 10% Current: Standby 160mA@12V, Peak 1.25A@12V
YD25L	Double acting doors, slim profile, high usage	1,000,000	1,000kg (2,200lbf)	210 x 25 x 43mm (8 17/64 x 1 x 1 11/16")	Ø 12.7mm (1/2"), 16mm (5/8") extension	Input Voltage: 12-24VDC ± 10% Current: Standby 160mA@12V, Peak 1.25A@12V
YD25K	Single acting doors, slim profile, manual override	1,000,000	1,000kg (2,200lbf)	280 x 25 x 43mm (11 11/32 x 1 x 1 11/16")	Ø 12.7mm (1/2"), 16mm (5/8") extension	Input Voltage: 12-24VDC ± 10% Current: Standby 160mA@12V, Peak 1.25A@12V
YD38	Single acting doors, heavy duty, high usage	1,000,000	2,000kg (4,400lbf)	203 x 37.5 x 43mm (8 x 1 1/5 x 1 11/16")	Ø 14.2mm (9/16"), 14mm (9/16") extension	Input Voltage: 12-24VDC ± 10% Current: Standby 230mA@12V, Peak 1.5A@12V
YD38L	Double acting doors, heavy duty, high usage	1,000,000	2,000kg (4,400lbf)	203 x 37.5 x 43mm (8 x 1 1/5 x 1 11/16")	Ø 14.2mm (9/16"), 14mm (9/16") extension	Input Voltage: 12-24VDC ± 10% Current: Standby 230mA@12V, Peak 1.5A@12V
YG80	Any large opening, high strength, extreme environments	300,000	4,000kg (8,800lbf)	80 x 80 x 150mm (3 5/32 x 3 5/32 x 5 29/32")	Ø 18mm (11/16"), 30mm (1 3/16") extension	Input Voltage: 12-24VDC ± 15% Current: Standby 40mA@12V, Peak 1A@12V or 2A@24V with heater
YG80B	Any large opening, direct bluetooth control, high strength	300,000	4,000kg (8,800lbf)	80 x 80 x 150mm (3 5/32 x 3 5/32 x 5 29/32")	Ø 18mm (11/16"), 30mm (1 3/16") extension	Input Voltage: 12-24VDC ± 15% Current: Standby 40mA@12V, Peak 1A@12V or 2A@24V with heater

WARRANTY

Unless specified otherwise, the Company warrants to the Customer that BQT Solutions Branded Products' (excluding third party products and software) are covered by a return to base warranty on defects in materials and workmanship affecting normal use for a period of the Warranty offered under the Standard Terms and Conditions of Sale from BQT invoice date ('Standard Warranty').

Information obtained in this document is subject to change without notice. For further technical or sales information, visit our website at www.bqtsolutions.com or email support@bqtsolutions.com

