

# RFID KEYPAD READER BT817



## Product Overview

The BT817 is a two-factor wall mount MIFARE smart card reader that can be purchased pre-configured or customised to suit any requirement. Available in a range of secure options right up to military grade technology and encryption, this dual RFID and keypad reader provides flexibility in a low profile, robust unit designed to withstand the harshest of environments. This compact form-factor MIFARE smart card reader can be purchased pre-configured or customised and will integrate seamlessly with existing systems to facilitate upgrading to higher security technology.

## Why BQT Solutions

BQT Solutions is a specialist in the development, manufacture and supply of high quality, high security card and biometric readers, electromechanical locks and related electronic security products. Providing high security solutions to verticals such as Airports, Hospitals, Prisons and Government for over 35 years.

*Innovating today for a more secure tomorrow*

## Product Benefits

### Benefit One

Dual factor authentication for a higher level of access control security - using a keypad for PIN access in addition to the MIFARE® Classic or DESFire® 13.56MHz smart cards.

### Benefit Two

Offering pre-configured and customised operations, the BT817 can be set up to accept your custom key and data formats and is designed to work with your pre-existing security configurations.

### Benefit Three

The BT817 offers installation flexibility and integration with many existing access panels and can be customised to suit a proprietary system. When you receive your reader, all you will have to do is connect them in to secure your site with your existing access control system.

---

## PRODUCT FEATURES

### Compatibility

---

Available with MIFARE Classic and DESFire proximity cards for contactless smart card technology. The BQT Solution's suite of MIFARE Classic & DESFire® readers and smart cards, opens the gateway to multiple security applications, including access control, biometric authentication, IT security, e-purse, e-vending, time, and attendance to ensure your security needs are being met.

### Robust Design

---

Its sleek casing offers a robust exterior designed to withstand tampering and maintain integrity during a security threat or incident. Built to withstand common reader threats, including excessive force from a hammer or heavy tool, the BM817 will continue to operate and secure access even after being damaged.

### Keypad

---

Bringing in the 'what you know' aspect to dual-factor authentication, the keypad is designed to add an additional layer of security for your access control. With the BT817 the keypad or an ID card can be used to gain access is desired but utilising them both ensures secure access is only given to those who have a card and access pin.

### Tamper Monitor

---

Security threats aren't always captured on camera and pose a real risk to unauthorised access. We know the peace of mind many organisations need when it comes to alerting them to security threats and the BT817 offers a tamper monitor that will alert the security team if there has been a breach attempt at one of the readers.

### Secure Encryption

---

Working with your current system, the BT817 offers flexible access control, with the option to use Wiegand, OSDP or Encrypted RS485 access data output. The BT817 additional benefits of being cost-effective and easy to wire and deploy across your sites where different levels of encryption are needed for secure access control.

---

## PRODUCT APPLICATIONS

Applications where a higher level of security is desired, or sites where cards are not preferred. Offering dual authentication and switchable to 'Card Only', 'PIN Only', 'Card or PIN', 'Card and PIN' and 'PIN on Card', the flexibility of the BT817 has seen it used extensively in Airports, Government applications and the wider commercial market.

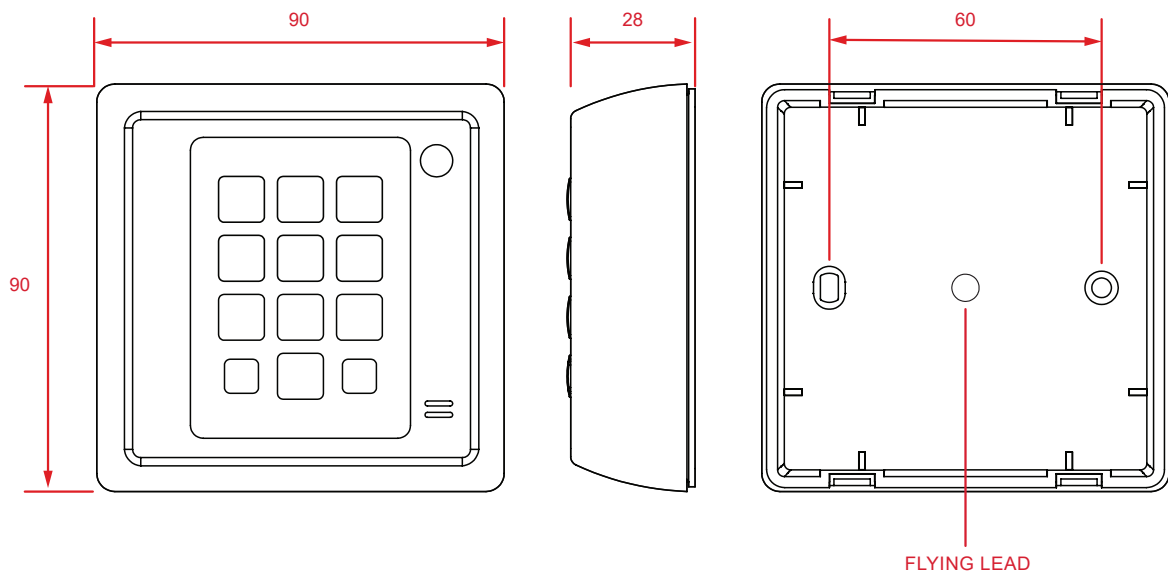


## SPECIFICATIONS

- **Voltage at Reader**  
8VDC to 16VDC
- **Current Usage**  
Average: 90mA  
Peak: 190mA
- **Card Read Range**  
20mm to 40mm (0.8" to 1.6")
- **Operating Temperature**  
-25°C to +65°C (-13°F to +149°F)
- **Relative Humidity (% max)**  
90%, operating non condensing
- **Reader Dimensions**  
90mm (3.54") X 90mm (3.54") X 28mm (1.10")
- **Materials**  
Reader / Shroud Body: ABS Plastic  
Colour Finish: Charcoal
- **Feedback**  
Green/Red/Blue LED, with external control  
Buzzer, with external control  
Tamper detection, optional output
- **Keypad**  
12 button illuminated, PIN on Card (PoC), 8-bit COTAG or custom
- **Credential Options**  
ISO14443A, MIFARE Classic® 1K/4K, MIFARE Plus® X 2K/4K, MIFARE® DESFire® EV1 4K/8K, MIFARE® DESFire® EV2 4K/8K, MIFARE® DESFire® EV3 4K/8K
- **Compliance and Certification**  
FCC, CE, UKCA, RCM, RoHS, IP65
- **Reader Variants**  
BT817-1 – CSN Reader  
BT817-2 – miPASS2 Reader  
BT817-3 – Custom MIFARE Classic Reader  
BT817-4 – miPASS3 Reader  
BT817-5 – miPASS4 Reader  
BT817-6 – Custom MIFARE DESFire Reader
- **Accessories**  
B4023G000000 – BT817 Tamper Backbox  
B4033G000000 – BT817 Tamper Plate  
B4101G000000 – BT817 Replacement Shroud

## DIAGRAM - BT817

Diagrams are not to scale. Measurements are in millimeters (mm).



## MODEL COMPARISON

NAME	APPLICATION	OUTPUT PROTOCOLS	OPERATING TEMPERATURE	READER DIMENSIONS	POWER USAGE
<b>BM680</b>	Sites that are cost sensitive yet still require high security	Wiegand, OSDP, RS485	-25°C to +65°C (-13°F to +149°F)	85mm X 43mm X 22mm (3.35" X 1.69" X 0.87")	8VDC to 16VDC, 60mA (Average), 160mA (Peak)
<b>BT930</b>	Existing sites looking to upgrade the technology within the same architrave footprint	Wiegand, OSDP, RS485	-25°C to +65°C (-13°F to +149°F)	140mm X 47mm X 24mm (5.51" X 1.85" X 0.94")	8VDC to 16VDC, 60mA (Average), 160mA (Peak)
<b>BT950</b>	Installations that require a robust standard form architrave reader	Wiegand, OSDP, RS485	-25°C to +65°C (-13°F to +149°F)	119mm X 43mm X 23mm (4.69" X 1.69" X 0.91")	8VDC to 16VDC, 80mA (Average), 160mA (Peak)
<b>BT951</b>	Any site wanting to migrate from 125KHz (FSK) to MIFARE security	Wiegand, OSDP, RS485	-25°C to +65°C (-13°F to +149°F)	119mm X 43mm X 23mm (4.69" X 1.69" X 0.91")	8VDC to 16VDC, 120mA (Average), 300mA (Peak)
<b>BT953</b>	Any site wanting to migrate from 125KHz (PSK) to MIFARE security	Wiegand, OSDP, RS485	-25°C to +65°C (-13°F to +149°F)	119mm X 43mm X 23mm (0.91" X 4.69" X 1.69")	8VDC to 16VDC, 120mA (Average), 300mA (Peak)
<b>BT815</b>	Sites needing a standard form gang box reader	Wiegand, OSDP, RS485	-25°C to +65°C (-13°F to +149°F)	90mm X 90mm X 20mm (3.54" X 3.54" X 0.79")	8VDC to 16VDC, 60mA (Average), 160mA (Peak)
<b>BT817</b>	Sites requiring dual factor authentication or cardless access	Wiegand, OSDP, RS486	-25°C to +65°C (-13°F to +149°F)	90mm X 90mm X 28mm (3.54" X 3.54" X 1.10")	8VDC to 16VDC, 90mA (Average), 190mA (Peak)
<b>BT853</b>	Sites requiring dual factor authentication or cardless access and on device feedback	Wiegand, OSDP, RS487	-25°C to +65°C (-13°F to +149°F)	157mm X 97mm X 50mm (6.18" X 3.82" X 1.97")	8VDC to 16VDC, 90mA (Average), 190mA (Peak)
<b>BT51X</b>	Installations requiring a discrete yet secure device, ideal for Hospitals and Prisons	Wiegand, OSDP, RS488	-25°C to +65°C (-13°F to +149°F)	Variable, to suit	8VDC to 16VDC, 180mA (Average), 240mA (Peak)

## WARRANTY

Unless specified otherwise, the Company warrants to the Customer that 'BQT Solutions Branded Products' (excluding third party products and software) are covered by a return to base warranty on defects in materials and workmanship affecting normal use for a period of the Warranty offered under the Standard Terms and Conditions of Sale from BQT invoice date ('Standard Warranty')

Information obtained in this document is subject to change without notice. For further technical or sales information, visit our website at [www.bqtsolutions.com](http://www.bqtsolutions.com) or email [support@bqtsolutions.com](mailto:support@bqtsolutions.com)