

# BT815



## RFID READER DATASHEET

23.06.21

### PRODUCT

The BT815 is a wall mount MIFARE® smart card reader that can be purchased preconfigured or customised to suit any requirement. Able to integrate seamlessly with existing systems and facilitate migrating to higher security technology.



### MODEL FEATURES

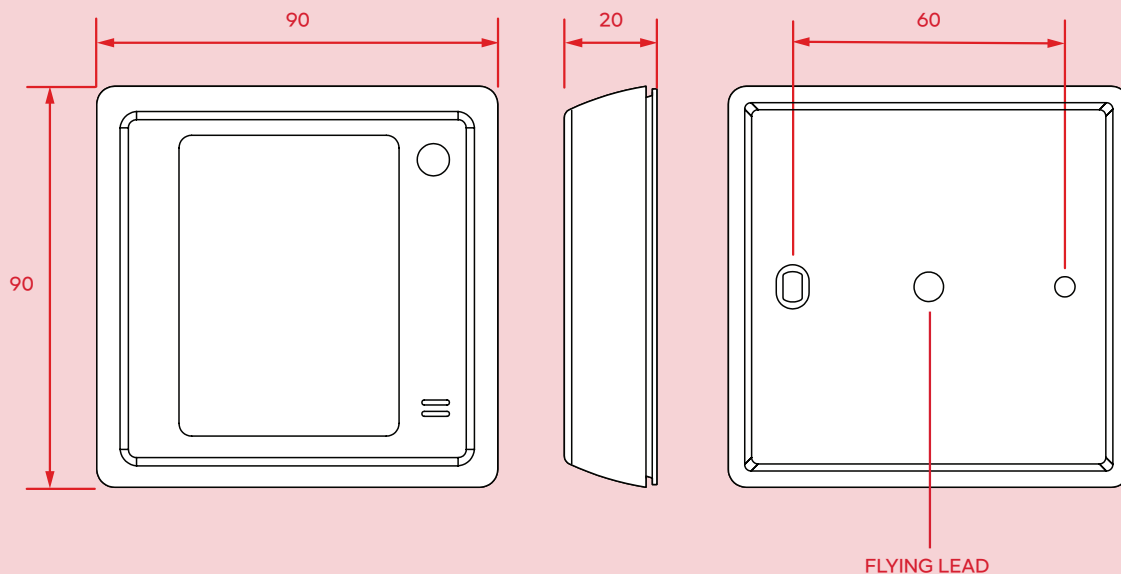
|            |                           | BT815-1 | BT815-2 | BT815-3 | BT815-4 | BT815-5 | BT815-6 |
|------------|---------------------------|---------|---------|---------|---------|---------|---------|
| Technology | 125kHz                    |         |         |         |         |         |         |
|            | MIFARE Classic®           | ●       | ●       | ●       |         |         |         |
|            | MIFARE Plus®              |         |         |         |         |         | ●       |
|            | MIFARE® DESFire®          |         |         |         | ●       | ●       | ●       |
| Factors    | Card                      | ●       | ●       | ●       | ●       | ●       | ●       |
|            | Keypad                    |         |         |         |         |         |         |
|            | Biometric                 |         |         |         |         |         |         |
| Encryption | CSN/UID                   | ●       | ●       | ●       | ●       |         | ●       |
|            | Crypto1                   |         | ●       | ●       |         |         | ●       |
|            | 3DES                      |         |         |         | ●       |         | ●       |
|            | AES                       |         |         |         |         | ●       | ●       |
| Keys       | Diversified Key           |         | ●       |         | ●       | ●       | ●       |
|            | Custom Key                |         |         | ●       |         |         | ●       |
| Output     | Wiegand 32-bit            | ●       | ●       | ●       | ●       | ●       | ●       |
|            | Wiegand 26-bit to 199-bit |         |         | ●       |         |         | ●       |
|            | Encrypted RS485           |         |         | ●       |         | ●       | ●       |

## SPECIFICATIONS

- **Voltage at Reader**  
8VDC to 16VDC
- **Current Usage**  
Average: 60mA  
Peak: 160mA
- **Card Read Range**  
20mm to 40mm (0.8" to 1.6")
- **Operating Temperature**  
-25°C to +65°C (-13°F to +149°F)
- **Relative Humidity (% max)**  
90%, operating non condensing
- **Reader Dimensions**  
90mm (3.54") X 90mm (3.54") X  
20mm (0.79")
- **Materials**  
Reader / Shroud Body: ABS  
Plastic  
Colour Finish: Charcoal
- **Feedback**  
Green/Red LED, with external  
control  
Buzzer, with external control  
Tamper detection, optional  
output
- **Credential Options**  
ISO14443A, MIFARE Classic®  
1K/4K, MIFARE Plus® X 2K/4K,  
MIFARE® DESFire® EV1 4K/8K,  
MIFARE® DESFire® EV2 4K/8K,  
MIFARE® DESFire® EV3 4K/8K
- **Compliance and Certification**  
FCC, CE, UKCA, RCM, RoHS, IP65
- **Reader Variants**  
BT815-1 – CSN Reader  
BT815-2 – miPASS2 Reader  
BT815-3 – Custom MIFARE  
Classic Reader  
BT815-4 – miPASS3 Reader  
BT815-5 – miPASS4 Reader  
BT815-6 – Custom MIFARE  
DESFire Reader
- **Accessories**  
B4022G000000 – BT815  
Backbox  
B4032G000000 – BT815 Tamper  
Plate  
B4100G000000 – BT815  
Replacement Shroud

## DIAGRAM

DIAGRAMS ARE NOT TO SCALE. MEASUREMENTS ARE IN MILLIMETERS (MM).



CONTACT [SALES@BQTSOLUTIONS.COM](mailto:SALES@BQTSOLUTIONS.COM) TO BE PUT IN TOUCH WITH YOUR LOCAL REPRESENTATIVE.

[WWW.BQTSOLUTIONS.COM](http://WWW.BQTSOLUTIONS.COM)