

YD30S

COBALT SINGLE

The YD30S, also known as the Cobalt Single, is a revolutionary low voltage motor-driven door lock for 90° doors. It has been designed to secure single acting doors and addresses the two biggest issues for electronic locking; the ability to align a misaligned door and the ability to release when requested, even with excessive load on the door.

The Cobalt Single is typically used in commercial doors and controlled by access control systems. This gives the user the ability to control access in and around a facility and provide traffic reports when desired. Additionally, the Cobalt Single can be used in a more straightforward system where controlling access to a single door can be implemented with a stand-alone access system.





BENEFITS

01

Engineered to release when requested even under significant side-load pressure of up to 6,000N (1,350 lbf).

02

The Cobalt Single lock will correct a misalignment of up to 8mm (5/16 inch) automatically eliminating the risk of a door closing but not securing. The perfect solution for securing doors with a weather seal.

03

Offering feedback to the control panel of the door and bolt positions is a standard feature of the YD30S and vital information to ensure a site is safe and secure.

04

Flexibility in installation as the Cobalt Single can be morticed into a door frame vertically or horizontally for a completely concealed install, or surface mounted to any surface including glass with optional accessories.

FEATURES



Side-load

World-leading in innovation and engineering, the unique design of the Cobalt Single uses a collapsing mechanism that is deadbolted when locked but will unlock when requested even with 6,000N (1,350 lbf) of force on the door.



Alignment

The pivot action of the Cobalt Single bolt pin will 'grab' the strike plate and pull the door into position for a misalignment up to 8mm (5/16 inch).



Fire Tested

The Cobalt Single has been fire tested and approved to ensure the lock won't compromise a fire door's integrity or effectiveness.



Integrated Access Control

With user-selectable fail-safe and fail-secure modes, and multiple attempts to lock or unlock, the YD30S is ready for a wide range of application requirements. It can be integrated easily with access control or alarm systems.



Certified

The YD30S has been fully certified for global use including being tested to the EN14846 standard and achieving UL listing. In addition to meeting all compliance requirements, the Cobalt Single is also suitable for use on fire resistant door sets.



High Security

With a 10mm (3/8 inch) thick stainless steel bolt pin, the Cobalt Single has a holding force in excess of 10,000N (2,250 lbf). In addition, onboard control provides auto relock for added security.



Low Current Consumption

The Cobalt Single will draw as little as 40mA in standby and only 0.75A in operation at 12VDC. Low current paired with high-security access control makes the YD30S a preferred product choice for many industry leaders. Offering an eco-friendly and economical solution, the Cobalt Single utilises a low power mode when in standby.



Versatile Installation

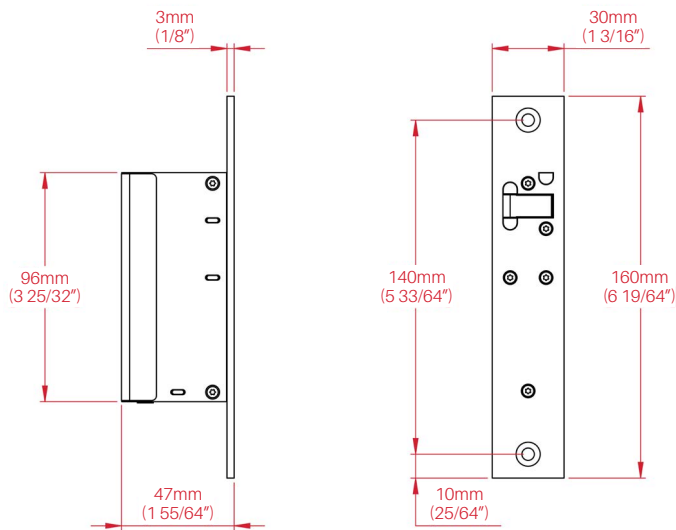
The Cobalt Single can be morticed flush into both the side, or top of many door frames. The lock is supplied with a matching strike plate as standard but additional items are available in the form of a housing and dress plate. These products allow the lock to be surface mounted when mortice installation isn't a preferred, or viable option. The housing and dress plates are supplied with self-adhesive tape for instant application to glass doors and door frames.



Durability

Tested for endurance for over 1,000,000 cycles, the Cobalt Single offers durability and safety in high volume traffic environments.

SPECIFICATIONS



Door Gap

6mm (1/4 inch) maximum

Static strength

10,000N (2,250 lbf)

Sideload (release on request)

6,000N (1,350 lbf)

Endurance

Cycle tested to 1,000,000 operations

Bolt Pin

10mm (3/8 inch) thick,
13mm (1/2 inch) extension

Alignment

8mm (5/16 inch) misalignment correction

Voltage at lock

12-24VDC ±15%

Current usage

Holding: 40mA@12VDC,
25mA@24VDC

Maximum: 0.75A@12VDC,
0.4A@24VDC

Monitor switch ratings

30VDC max, 100mA max

Materials

Lock/Strike Plate: Stainless
Steel 304

Bolt Pin: Stainless Steel 17-4PH

Environment

IP53

Compliance & Certification

- CE Compliant, RoHS 2 Compliant
- FCC Part 15 / IC Compliant
- RCM Compliant, UL Listed
- EN 14846:2008 Certified
- Suitable for use on fire resistant doorsets

Lock

YNL220A - Lock with Long Strike Plate

Accessories

- YNL223A - Long Strike Plate
- YNL224J - Housing
- YNL226J - Dress Plate
- YNL209 - YD30X Wire loom
- YNL209A - YD30X Wire loom 5m
- YNL208 - Fitting tab kit

APPLICATIONS

High traffic volume, single acting pedestrian doors where door alignment or releasing when requested under sideload is required. Commonly seen in mortice installations on office doors but also used on single acting glass doors where security is paramount, convenience required and appearances important. Used across all market sectors.



MODEL COMPARISON

NAME	APPLICATION	LIFECYCLE	HOLDING FORCE	LOCK DIMENSIONS	BOLT PIN DIMENSIONS	POWER USAGE
YD30S (COBALT SINGLE)	Single acting doors, correcting misalignment, releasing under sideload pressure	1,000,000	1,000kg (2,200lbf)	160 x 30 x 47mm (6 19/64 x 1 3/16 x 1 27/32")	10mm (3/8") thick, 13mm (1/2") extension	Input Voltage: 12-24VDC ± 15% Current: Standby 40mA@12V, Peak 0.75A@12V
YD30D (COBALT DOUBLE)	Double acting doors, correcting misalignment, releasing under sideload pressure	1,000,000	1,000kg (2,200lbf)	255 x 30 x 47mm (10 3/64 x 1 3/16 x 1 27/32")	10mm (3/8") thick, 13mm (1/2") extension, (2 pieces)	Input Voltage: 12-24VDC ± 15% Current: Standby 40mA@12V, Peak 0.75A@12V
YD25	Single acting doors, slim profile, high usage	1,000,000	1,000kg (2,200lbf)	210 x 25 x 43mm (8 17/64 x 1 x 1 11/16")	Ø 12.7mm (1/2"), 16mm (5/8") extension	Input Voltage: 12-24VDC ± 10% Current: Standby 160mA@12V, Peak 1.25A@12V
YD25L	Double acting doors, slim profile, high usage	1,000,000	1,000kg (2,200lbf)	210 x 25 x 43mm (8 17/64 x 1 x 1 11/16")	Ø 12.7mm (1/2"), 16mm (5/8") extension	Input Voltage: 12-24VDC ± 10% Current: Standby 160mA@12V, Peak 1.25A@12V
YD25K	Single acting doors, slim profile, manual override	1,000,000	1,000kg (2,200lbf)	280 x 25 x 43mm (11 11/32 x 1 x 1 11/16")	Ø 12.7mm (1/2"), 16mm (5/8") extension	Input Voltage: 12-24VDC ± 10% Current: Standby 160mA@12V, Peak 1.25A@12V
YD38	Single acting doors, heavy duty, high usage	1,000,000	2,000kg (4,400lbf)	203 x 37.5 x 43mm (8 x 1 1/5 x 1 11/16")	Ø 14.2mm (9/16"), 14mm (9/16") extension	Input Voltage: 12-24VDC ± 10% Current: Standby 230mA@12V, Peak 1.5A@12V
YD38L	Double acting doors, heavy duty, high usage	1,000,000	2,000kg (4,400lbf)	203 x 37.5 x 43mm (8 x 1 1/5 x 1 11/16")	Ø 14.2mm (9/16"), 14mm (9/16") extension	Input Voltage: 12-24VDC ± 10% Current: Standby 230mA@12V, Peak 1.5A@12V
YG80	Any large opening, high strength, extreme environments	300,000	4,000kg (8,800lbf)	80 x 80 x 150mm (3 5/32 x 3 5/32 x 5 29/32")	Ø 18mm (11/16"), 30mm (1 3/16") extension	Input Voltage: 12-24VDC ± 15% Current: Standby 40mA@12V, Peak 1A@12V or 2A@24V with heater
YG80B	Any large opening, direct bluetooth control, high strength	300,000	4,000kg (8,800lbf)	80 x 80 x 150mm (3 5/32 x 3 5/32 x 5 29/32")	Ø 18mm (11/16"), 30mm (1 3/16") extension	Input Voltage: 12-24VDC ± 15% Current: Standby 40mA@12V, Peak 1A@12V or 2A@24V with heater

WARRANTY

Unless specified otherwise, the Company warrants to the Customer that BQT Solutions Branded Products' (excluding third party products and software) are covered by a return to base warranty on defects in materials and workmanship affecting normal use for a period of the Warranty offered under the Standard Terms and Conditions of Sale from BQT invoice date ('Standard Warranty').

Information obtained in this document is subject to change without notice. For further technical or sales information, visit our website at www.bqtsolutions.com or email support@bqtsolutions.com

