



Trucking and Chain of Custody Security

The importance of security, reliability, and efficiency cannot be overstated in logistics & transportation. You face unique challenges daily, from safeguarding valuable cargo to ensuring seamless operations across vast distances.

Security is the cornerstone of the trucking industry, and BQT Solutions is a trusted name in providing state-of-the-art locking systems that are tailored to the demands of transportation.

We understand that your cargo is the lifeblood of your business, and the YG80 series is designed to offer unparalleled protection, ensuring that your shipments arrive at their destination securely. That your cargo is protected. Your operations are optimized, and your supply chain is secured against theft and tampering.

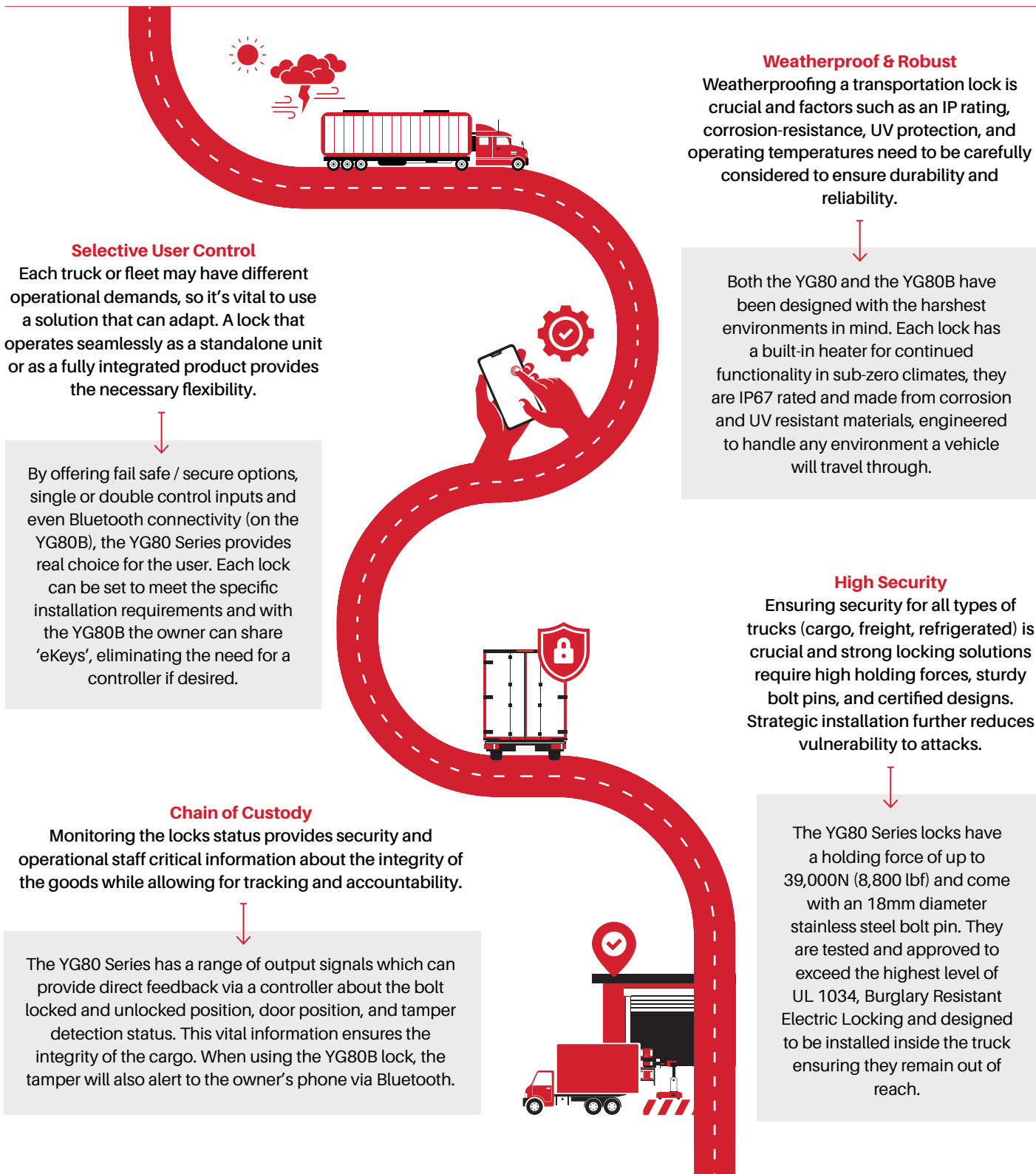
sales@bqtsolutions.com
bqtsolutions.com



CARGO THEFT AND CHAIN OF CUSTODY

Millions of dollars' worth of cargo fails to reach its destination due to a surge in organised thefts. This rise impacts profits and disrupts global supply chains. Strong chain of custody and stringent security measures are essential to prevent theft, financial losses, delays, and reputational damage. Robust security protocols are crucial for protecting assets and ensuring supply chain integrity.

WHAT TO CONSIDER WHEN CHOOSING A TRANSPORTATION LOCK?



YG80 SERIES INSTALLATION AND APPLICATIONS

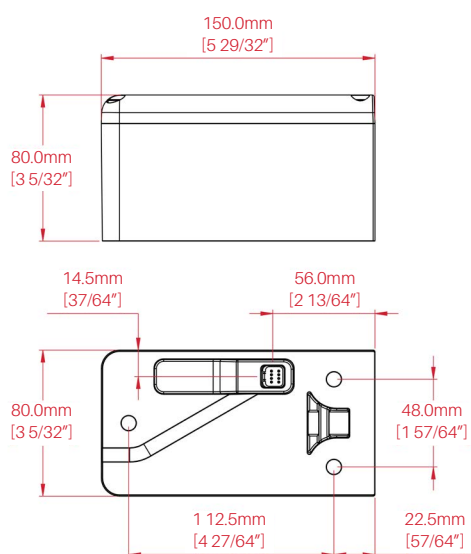


Shutter Roller Doors



Hinged Swing Doors

SPECIFICATIONS



Static strength

39,000N (8,800 lbf)

Dynamic Strength

200 joules

Endurance

Cycle tested to 300,000 operations

Bolt Pin

Ø18mm (11/16 inch),
30mm (1 3/16 inch) extension,
Ø28mm (1 1/8 inch) receiver

Locking / Unlocking Time

4.5 seconds (typical)

Voltage at lock

12-24VDC ±15%

Current usage

Holding: 40mA@12VDC,
30mA@24VDC

Maximum: 1A@12VDC,
2A@24VDC with heater on

Environment

IP67 Rated

Corrosion: 240 hours salt spray

Cold: -35°C (-31°F) for 2 hours

Dry Heat: +70°C (+158°F) for 2 hours

Lock

YG80 - YNL300A Lock with Strike
YG80B - YNL310A Lock with Strike



YG80B OPERATIONS

If utilizing the YG80, the lock will be integrated into a third party controller.

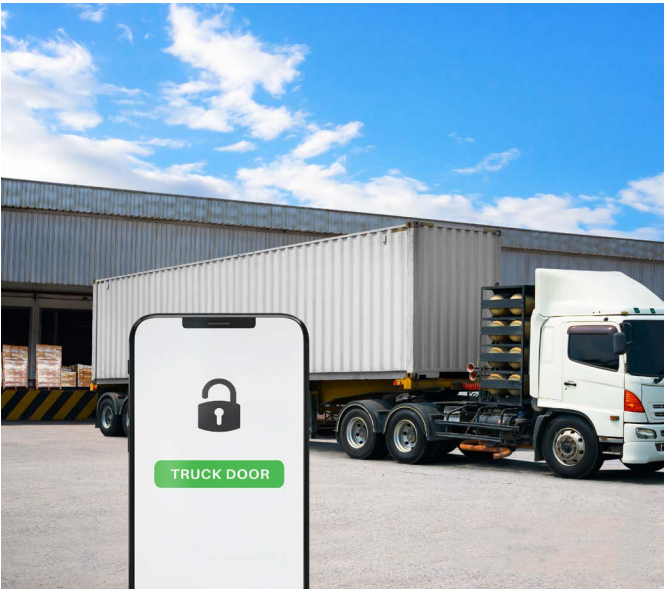
1 Install the YG80B inside your truck or container, ensuring it remains out of reach of attackers.



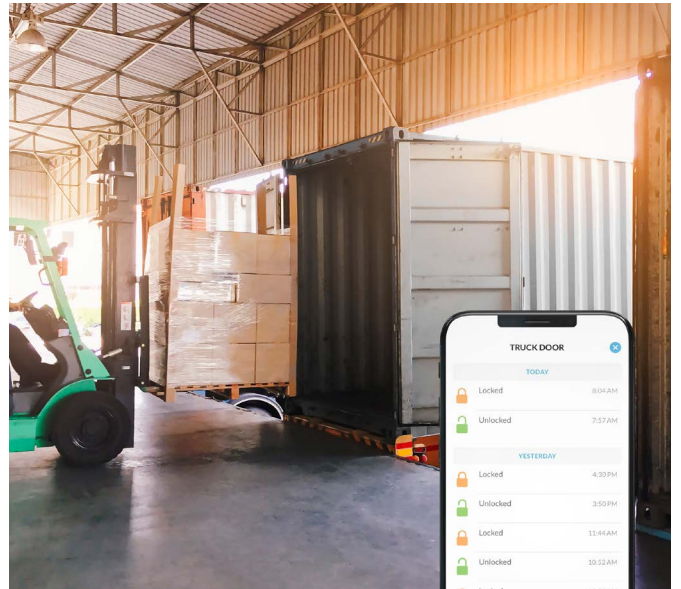
2 Use the BQT Connect app to securely lock your cargo in transit



3 Use your BQT Connect app to unlock your cargo door at your destination.



4 Review and audit the locking and unlocking of your fleet through the BQT Connect app.



WARRANTY

Unless specified otherwise, the Company warrants to the Customer that BQT Solutions Branded Products' (excluding third party products and software) are covered by a return to base warranty on defects in materials and workmanship affecting normal use for a period of the Warranty offered under the Standard Terms and Conditions of Sale from BQT invoice date ('Standard Warranty').

Information obtained in this document is subject to change without notice. For further technical or sales information, visit our website at www.bqtsolutions.com or email support@bqtsolutions.com

