



# YG80B

The YG80B is a unique electronic locking solution designed to secure any overhead door, gate or large opening. Able to be integrated into an access control system or operate completely stand alone with inbuilt Bluetooth control.

Made for any climate and robust enough to withstand all environments, the YG80B can be utilized in places most electronic locks can't and provides unparalleled security and convenience.





## BENEFITS

### 01

Unmatched security with a holding force of up to 39,000N (8,800 lbf) and on-board monitors to provide status feedback.

### 02

Bluetooth communication enables effortless control of the YG80B lock by simply downloading the accompanying app, offering unparalleled convenience.

### 03

Achieving an IP67 rating and having a built in heater ensures that the YG80B can be used in the most extreme environments.

### 04

Flexibility with mounting and a multitude of control options make the YG80B ideally suited to solve even the most challenging installations.

## FEATURES



### High Security

With an 18mm diameter stainless steel bolt pin and reinforced strike, the YG80B has a tested holding force that exceeds the highest level of UL 1034, Burglary Resistant Electric Locking. The locks mounting bolts are concealed under the cover which is monitored for tamper detection.



### Weatherproof

The YG80B has been designed from the ground up with weather-proofing as a critical feature. With an IP67 certified design, corrosion and UV resistant body and strike material, and a built-in heater for continued functionality in sub-zero climates, the YG80B can handle any environment.



### Versatile Installation

The symmetrical design means the YG80B can be installed both horizontally and vertically in indoor and outdoor environments. In addition, the included three metre plug in cable ensures easy connection for the power, control and monitoring functions.



### Complete Monitoring

The YG80B has a range of output signals - bolt locked and unlocked position, door position, and tamper detection. The tamper will also alert to the owners phone via Bluetooth if enabled. Monitoring the position of the door and whether the lock is open or closed provides complete confidence of the facilities security in addition to potential integrations into other devices.



### Bluetooth Control

Downloading the YG80B app then pairing the phone with the lock, gives the owner direct control and the simplest of set ups. The owner can then share 'eKeys' with others eliminating the need for a physical access control system if desired.



### Low Current Consumption

With the heater disabled the YG80B will draw as little as 40mA in stand-by and 1A in operation at 12VDC. The low power usage of the YG80B makes it a preferred product for many locations offering a unique balance of high security while still being eco-friendly and economical.



### Integrated Access Control

With user-selectable fail safe / fail secure modes, three user-selectable control methods, multiple attempts to lock or unlock, and built in Bluetooth, the YG80B can be connected and controlled in numerous ways giving the installer and user unrestricted flexibility.



### Durability

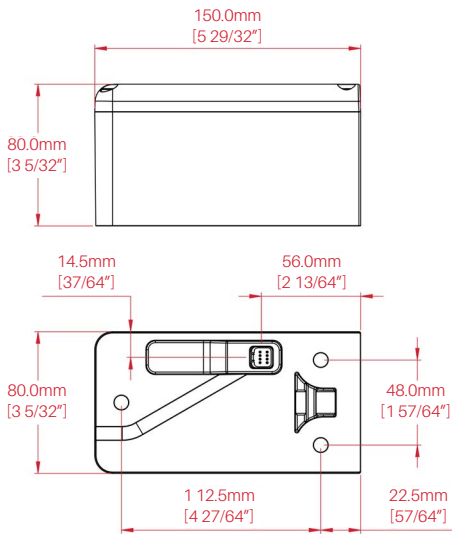
Tested for endurance for over 300,000 cycles, the YG80B offers security in medium volume traffic environments.



### Certified

The YG80B has been fully certified for global use including being tested to UL 294, UL 1034, FCC and CE. Additionally, numerous environmental standards were conducted with heat, cold, and corrosion resistance all determined.

**SPECIFICATIONS**



**Door Gap**

15mm (5/8 inch) maximum

**Static strength**

39,000N (8,800 lbf)

**Dynamic Strength**

200 joules

**Endurance**

Cycle tested to 300,000 operations

**Bolt Pin**

Ø18mm (11/16 inch),  
30mm (1 3/16 inch) extension,  
Ø28mm (1 1/8 inch) receiver

**Locking / Unlocking Time**

4.5 seconds (typical)

**Voltage at lock**

12-24VDC ±15%

**Current usage**

Holding: 40mA@12VDC,  
30mA@24VDC

Maximum: 1A@12VDC,  
2A@24VDC with heater on

**Monitor switch ratings**

24VDC max, 250mA max

**Environment**

IP67 Rated  
Corrosion: 240 hours salt spray  
Cold: -35°C (-31°F) for 2 hours  
Dry Heat: +70°C (+158°F) for 2 hours

**Materials**

Bolt Pin: Stainless Steel SS304  
Lock Body / Strike: Aluminum A383  
Lid: Glass Fiber Reinforced, UV Stabilised Polypropylene

**Compliance & Certification**

- CE Compliant, RoHS 2 Compliant
- FCC Part 15 / IC Compliant
- RCM Compliant
- UL 294 and UL 1034 certified

**Lock**

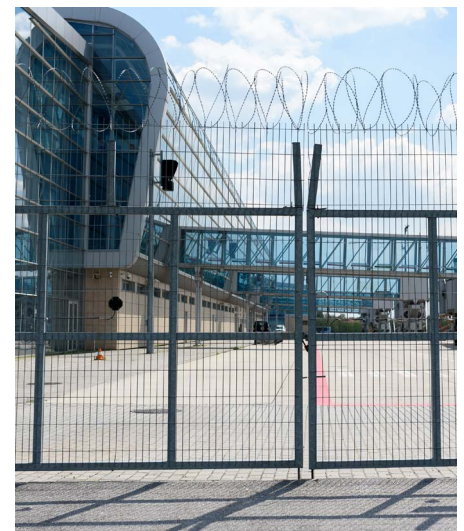
YNL310A - YG80B Lock and Strike

**Accessories**

YNL303A - YG80 Strike  
YNL309A - YG80B Wire loom - 3m

**APPLICATIONS**

Any large opening that demands the highest security, is exposed to the most extreme weather conditions, and requires access control operation including chain of custody. Commonly seen on overhead doors, gates and trucks and ideal for standalone access by utilizing the built in Bluetooth control. Useful in most market verticals.



## MODEL COMPARISON

NAME	APPLICATION	LIFECYCLE	HOLDING FORCE	LOCK DIMENSIONS	BOLT PIN DIMENSIONS	POWER USAGE
<b>YD30S (COBALT SINGLE)</b>	Single acting doors, correcting misalignment, releasing under sideload pressure	1,000,000	1,000kg (2,200lbf)	160 x 30 x 47mm (6 19/64 x 1 3/16 x 1 27/32")	10mm (3/8") thick, 13mm (1/2") extension	Input Voltage: 12-24VDC ± 15% Current: Standby 40mA@12V, Peak 0.75A@12V
<b>YD30D (COBALT DOUBLE)</b>	Double acting doors, correcting misalignment, releasing under sideload pressure	1,000,000	1,000kg (2,200lbf)	255 x 30 x 47mm (10 3/64 x 1 3/16 x 1 27/32")	10mm (3/8") thick, 13mm (1/2") extension, (2 pieces)	Input Voltage: 12-24VDC ± 15% Current: Standby 40mA@12V, Peak 0.75A@12V
<b>YD25</b>	Single acting doors, slim profile, high usage	1,000,000	1,000kg (2,200lbf)	210 x 25 x 43mm (8 17/64 x 1 x 1 11/16")	Ø 12.7mm (1/2"), 16mm (5/8") extension	Input Voltage: 12-24VDC ± 10% Current: Standby 160mA@12V, Peak 1.25A@12V
<b>YD25L</b>	Double acting doors, slim profile, high usage	1,000,000	1,000kg (2,200lbf)	210 x 25 x 43mm (8 17/64 x 1 x 1 11/16")	Ø 12.7mm (1/2"), 16mm (5/8") extension	Input Voltage: 12-24VDC ± 10% Current: Standby 160mA@12V, Peak 1.25A@12V
<b>YD25K</b>	Single acting doors, slim profile, manual override	1,000,000	1,000kg (2,200lbf)	280 x 25 x 43mm (11 11/32 x 1 x 1 11/16")	Ø 12.7mm (1/2"), 16mm (5/8") extension	Input Voltage: 12-24VDC ± 10% Current: Standby 160mA@12V, Peak 1.25A@12V
<b>YD38</b>	Single acting doors, heavy duty, high usage	1,000,000	2,000kg (4,400lbf)	203 x 37.5 x 43mm (8 x 1 1/5 x 1 11/16")	Ø 14.2mm (9/16"), 14mm (9/16") extension	Input Voltage: 12-24VDC ± 10% Current: Standby 230mA@12V, Peak 1.5A@12V
<b>YD38L</b>	Double acting doors, heavy duty, high usage	1,000,000	2,000kg (4,400lbf)	203 x 37.5 x 43mm (8 x 1 1/5 x 1 11/16")	Ø 14.2mm (9/16"), 14mm (9/16") extension	Input Voltage: 12-24VDC ± 10% Current: Standby 230mA@12V, Peak 1.5A@12V
<b>YG80</b>	Any large opening, high strength, extreme environments	300,000	4,000kg (8,800lbf)	80 x 80 x 150mm (3 5/32 x 3 5/32 x 5 29/32")	Ø 18mm (11/16"), 30mm (1 3/16") extension	Input Voltage: 12-24VDC ± 15% Current: Standby 40mA@12V, Peak 1A@12V or 2A@24V with heater
<b>YG80B</b>	Any large opening, direct bluetooth control, high strength	300,000	4,000kg (8,800lbf)	80 x 80 x 150mm (3 5/32 x 3 5/32 x 5 29/32")	Ø 18mm (11/16"), 30mm (1 3/16") extension	Input Voltage: 12-24VDC ± 15% Current: Standby 40mA@12V, Peak 1A@12V or 2A@24V with heater

### WARRANTY

Unless specified otherwise, the Company warrants to the Customer that BQT Solutions Branded Products' (excluding third party products and software) are covered by a return to base warranty on defects in materials and workmanship affecting normal use for a period of the Warranty offered under the Standard Terms and Conditions of Sale from BQT invoice date ('Standard Warranty').

Information obtained in this document is subject to change without notice. For further technical or sales information, visit our website at [www.bqtsolutions.com](http://www.bqtsolutions.com) or email [support@bqtsolutions.com](mailto:support@bqtsolutions.com)

